

TORTOISE

built-in open convector fires

With the option to burn wood coal or gas, Tortoise open convector fires are available in 8 standard sizes to cover most installation requirements. But should one of our standard size fireboxes not be suitable, we are able to offer a unique made-to-measure service, a simple cost-effective solution where there are structural constraints or maybe a valued existing fireplace which needs to be conserved. We are able to supply fireboxes to your specific requirements - maybe a 4 sided frame as to the left or a design to fit an existing curved opening, as in the picture opposite. Please call us to discuss any specific requirements - we can usually manufacture a fire to match your needs.



Tortoise model 3 with 4 sided surround wood burning

Easy to light, easy to install and much more efficient than a conventional open fire - everyone loves the sight, sound and feeling of a real open fire!



Tortoise model 1A with multi-fuel grid



cleanline

built-in open convector fires



Cleanline Wide wood burning

The Cleanline fire is available in 3 standard sizes with the choice of black or satin stainless steel firebars. A 3 or 4 sided black surround is standard on all fires with the option of a 3 or 4 sided satin stainless steel frame. The 4 sided is well suited to hole-in-the-wall installations and the 3 sided perfect for lower level, hearth mounting.

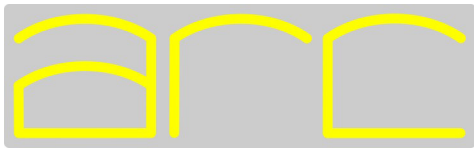
And with the choice to burn wood, coal or gas, finding the right home for a Cleanline firebox could be easy.



Cleanline Mini wood burning



Cleanline Classic with multi-fuel grid



freestanding open stove

The Arc, a really smart looking stand-alone open convector that suits so many locations. Available in 3 standard sizes - Mini, Classic or Wide, with a choice of matt black or satin stainless steel firebars. For situations where a larger fire is called for, or where there is an awkward size or shape of opening to fill, we are happy to make an Arc to the dimension you require.



mini

classic

wide

Although the Arc may have been designed primarily with looks in mind, it also works hard to spread warmth evenly around your room. And with the choice of woodburning, multi-fuel or gas, that's exactly what the Arc will do - quietly, efficiently without any fuss - all from a fire that successfully combines form and function.



Arc Classic with gas conversion



freestanding open stove

For open fire lovers, here is the perfect alternative to a woodburning stove - just think of our freestanding boxes as being rather like a stove, but without the doors to obstruct the view! With our fireboxes you get all the look and feel of a real blazing open fire and you get those higher levels of efficiency that our convection system delivers, to give that even spread of warmth around your room.



Tortoise model 3 freestander with multi-fuel grid

Available in 8 standard sizes for use with wood, coal or gas, the freestanding firebox is ideally suited for larger recesses and traditional inglenooks. It provides the perfect answer to smoke-back and problem chimneys as well as delivering that huge increase in efficiency. Given that Inglenook openings are lovely to look at, many are virtually impossible to use successfully! A Tortoise freestander overcomes the problems of larger openings bringing them back into useful service. See our website for more details



Tortoise model 2 freestander wood burning

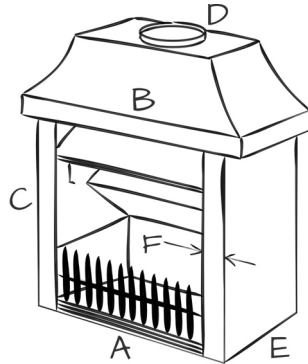
TORTOISE & ARC

freestanding open convector fires

dimensions, outputs and air supply requirement

TORTOISE freestanding firebox dimensions (mm)

	body width A	o/a width B	o/a height C	outlet diam. D	o/a depth E	face width F	*out put kW.	min chim diam	**air supp sq cm
model 1	473	573	825	205	380	50	4.6	200	160
model 1A	523	623	825	205	380	50	5.2	200	160
model 2	598	698	915	205	380	50	7.1	200	160
model 3	698	798	915	205	380	50	8.5	200	160
model 4	798	898	915	205	380	50	9.8	200	160
model 5	798	898	965	230	430	50	11.0	225	200
model 6	978	1078	1015	255	480	50	14.0	250	250
model 7	1178	1278	1070	305	530	50	16.0	300	360

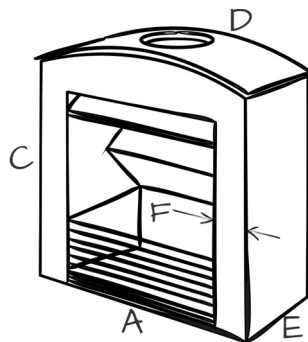


efficient freestanding convector fireboxes

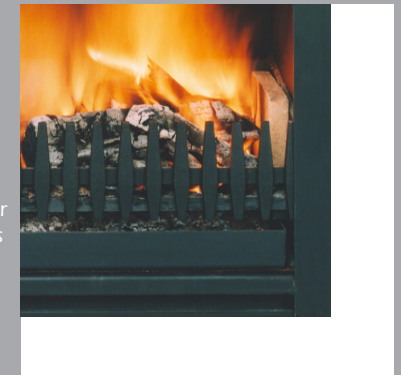


ARC freestanding firebox dimensions (mm)

	o/a width A	o/a height C	outlet diam. D	o/a depth E	face width F	*heat output kW.	min chim diam	**air supp sq cm
mini	660	760	205	420	70	7.1	200	160
classic	760	760	205	420	70	8.5	200	160
wide	860	760	205	420	70	9.8	200	160



efficient built-in convector fireboxes



Because our fires are 'locally' made here in the UK, we are able to offer an exclusive made-to-measure service. If one of our standard fireboxes is not suitable or you have a detail you wish to change or incorporate, call us to discuss.

* The output figure for the Tortoise model 3 firebox, burning logs over a 2 hour refuelling cycle, was obtained by an independent test laboratory and the output figures for other models have been calculated by extrapolation.

The quoted output is close to the maximum for that model #n everyday use, lower outputs can easily be achieved by re-fueling the firebox less frequently.

** This is the required minimum cross-sectional area of the permanently open ventilation for supply of combustion air into the room where this firebox is installed.

the acceptable face of open fires

Flamewave Fires

open convector fires from flamewave
the real alternative to a woodburner
designed in Britain & hand-made in Kent
all with a genuine lifetime guarantee

- woodburning, coal or gas burning options
- simple installation into most existing chimneys
- in the widest selection of sizes and styles
- the cure for problem and smoke-back chimneys
- perfect high temperature powder-coated finish
- easy maintenance, just wipe with a damp cloth
- not as efficient as a closed woodstove, but up to 4 times the efficiency of a standard fireback
- adjustable chimney damper (excl. cleanline)
- choice of accessories, trim and firebar finishes

Irish Agent for Flamewave Fires



Web: www.Lamartine.ie

Phone: 01-4502662

Email: info@lamartine.ie

Ballymount Rd. Lower
Walkinstown, Dublin 12,
D12 KR79, Ireland

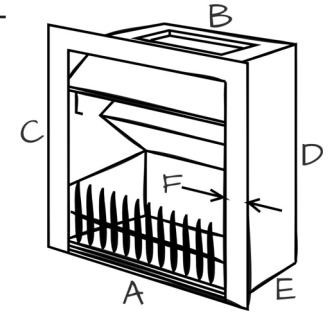
TORTOISE & CLEANLINE

built-in open convector fires

dimensions, outputs and air supply requirement

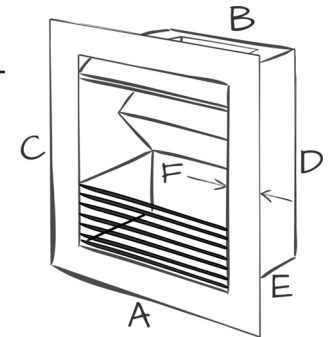
TORTOISE built-in firebox dimensions (mm)

	flange width A	box width B	flange height C	box height D	box depth E		*heat output F kW.	min chim diam	**air supp sq cm
model 1	473	401	570	545	353	50	4.6	200	160
model 1A	523	453	570	545	353	50	5.2	200	160
model 2	598	526	660	635	353	50	7.1	200	160
model 3	698	626	660	635	353	50	8.5	200	160
model 4	798	726	660	635	353	50	9.8	200	160
model 5	798	726	710	685	403	50	11.0	225	200
model 6	978	906	760	735	453	50	14.0	250	250
model 7	1178	1106	810	785	503	50	16.0	300	360



CLEANLINE built-in firebox dimensions (mm)

3 or 4 sided flange	flange width A	box width B	flange height C	box height D	box depth E		*heat output F kW.	min chim diam	**air supp sq cm
mini 3	660	526	590	570	353	70	7.1	200	160
mini 4	660	526	660	570	353	70	7.1	200	160
classic 3	820	626	682	635	353	100	8.5	200	160
classic 4	820	626	782	635	353	100	8.5	200	160
wide 3	860	726	590	570	353	70	8.5	200	160
wide 4	860	726	660	570	403	70	8.5	200	160



LIFETIME GUARANTEE

Tortoise, Cleanline and Arc Fireboxes are built to the very highest standards. Our fully welded construction uses a combination of heavy 2, 3 and 5mm steel plate. We then reinforce inside the fire chamber with additional layers of 5mm thick steel, where appropriate. We are so confident of the build quality of our boxes that we guarantee the main body of the fire for life and will repair or replace the fire as appropriate. This conditional guarantee applies to the original purchaser and installation site and is subject to the fire being installed in strict accordance with the instructions. Accessories are guaranteed for 12 months from purchase date. Replaceable parts in the burning areas of the fire i.e. multi-fuel grates, fire bars, trays and firebricks are considered to be consumables, with their lifetime being use dependant.