



LAMARTINE
FIRES & FIREPLACES

KALFIRE
FIREPLACES



Closed 
wood fires





Don't compromise

At Kalfire, we accept nothing but the best. The closed wood fires that we have been developing since 1981 are the result of this constant quest for perfection in design, technology and performance – indeed in every aspect of what we do. We are frequently singled out for introducing innovative technology and cutting-edge style.

We hope this brochure will inspire as well as inform you about our models. As you will see, the possibilities are limitless to create a fire that reflects your individuality and your taste. The range of options we offer will allow you to design the wood fire that best enhances your home's interior and meets your needs. Our Kalfire distributors are there to help guide you in your choices, but the final decision is always yours. Be true to yourself, and never compromise. We don't.

Beijko van Melick
Kalfire Managing Director

Cornerstones

Our products, our services and our business culture rest on five key values. Everything we do and everything we design is based on these five fundamental concepts, which allow us to stay ahead and retain our position as market leader.

The **experience** of something exceptional is one of the main reasons to choose a fireplace. A natural fire is a proven source of relaxation.

Individuality means having the widest choice and the most design freedom possible. As a fire takes pride of place in your living area, it needs to fit your unique requirements and personal taste – you shouldn't have to compromise.

Ease of use is a key factor in taking pleasure in something. Our fires are designed to be intuitive to use and extremely easy to clean.

Durability & sustainability go without saying, our wood-burning fires are equipped with innovative combustion technology that is not only durable, but environmental and economical.

Expertise is imperative for us and for our network of distributors, who we have carefully chosen and trained. Our product designers work ceaselessly to offer you pure innovation and cutting-edge performance. We are proud to be the market leader, and all our efforts are focused on staying there.



Contents

Foreword by Beijko van Melick	5
Cornerstones	6

EXPERTISE

Kalfire W: a high output of conviviality	9
An optimal view of the fire	11
The innovative Clean Window System	13

INDIVIDUALITY

Seamless integration	14
A wide range of options	17
3 types of interior	19

EASE OF USE

Easy to use	21
Easy to light	22
Easy to clean	25

DURABILITY & SUSTAINABILITY

Beautiful on the outside, clever on the inside	27
A fire that respects the environment	29

EXPERTISE

Kalfire distributors share our passion	31
--	----

PRODUCT RANGE

Front model:	
Adapts to any interior	34
KALFIRE W45/48F	36
KALFIRE W60/51F	38
KALFIRE W70/33F	40
KALFIRE W71/62F	42
KALFIRE W85/40F	44
KALFIRE W100/61F	46
KALFIRE W105/47F	48
KALFIRE W120/38F	50

Corner model:	
A view from two angles	52
KALFIRE W65/38C	54
KALFIRE W90/47C	56

Three-sided model:	
Maximum visibility of the fire	58
KALFIRE W66/48S	58
KALFIRE W90/47S	60

Double-sided tunnel model:	
A convivial way to divide a room	62
KALFIRE W80/52T	62
KALFIRE W105/47T	64

Room divider:	
A fireplace that divides space	66
KALFIRE W53/50R	68

Product overview	70
Dimensional drawings	72

Colophon

This brochure is published by Kalfire BV
Concept, design: DimCoppen, Tegelen
Photography: Zebra fotostudio's, Venlo





Kalfire W: a high output of conviviality

A wood fire has incomparable power to captivate. Not only does a blazing fire provide warmth, it also creates a cosy, intimate atmosphere. Kalfire is continuously seeking to develop this convivial aspect of its fires while optimizing their performance, research which has given rise to the new generation of Kalfire W closed fires. Compared to a traditional fireplace, the only thing we haven't changed is the wood.

Improved performance

By implementing state-of-the-art technology, we have dramatically improved the efficiency of wood fires in recent years, especially compared to that of a traditional open fireplace. Although the latter offers the pleasure of a completely open fire, the price to pay in energy is very high as the majority of the heat literally goes up the chimney. Closed fires avoid this huge loss of heat.

More heat with less wood

In a closed hearth, the fire is sealed in behind a glass panel. This is not only safer, it also has the advantage of conserving the heat and releasing it in a controlled way to the surroundings. In addition, the innovative technology used in our wood fires ensures optimal and clean combustion. This means you get more heat with a lot less wood!

A clear view of the fire

While the closed-hearth system guarantees a significant improvement in performance, the Kalfire W doesn't sacrifice the sensory pleasure and sociability of the experience of an open fire. The virtually frameless glass panel allows a full, unobstructed view of the play of flames, while the Clean Window system keeps the glass transparent, even after frequent use. And if you don't want anything at all between you and the fire, most of our wood-burning models (depending on their installation) can also be used with the door open.



An optimal view of the fire

The glass panel of a front model has a virtually invisible frame. The angled glass panels of the corner models, the three-sided models and the room divider have no metal strips at the corners (a patented feature), giving a totally unobstructed view of the fire.

Sleek design

The Kalfire W range effortlessly unites ease of use with style. The state-of-the-art technology is seamlessly integrated into a stripped-back design. The glass panel is frameless to give an unobstructed view of the fire, and the controls and metal surround are also concealed as much as possible. Other features such as the relatively shallow installation depth and the uninterrupted rear panel of the corner and three-sided models offer many design possibilities.





The innovative Clean Window System



The Clean Window system keeps the glass panel of your Kalfire W clean for longer.

If cleaning does eventually become required, easy access makes this quick and easy. Depending on the model, the door simply tilts or slides forward. The same applies to corner or three-sided models, which have a single curved glass panel that is free of metal strips where dirt could accumulate.



Seamless integration

Our closed wood fires blend in perfectly in any interior and offer an optimal view of the flames.

It is possible to opt for the rear panel to extend outside of the hearth, resulting in a fire with clean, minimalist lines that blends seamlessly into the surroundings. This enhances the impression of an open fireplace.





A wide range of options



Front model - Kalfire W100/61F



Corner model - Kalfire W65/38C



Three-sided model - Kalfire W90/47S



Double-sided tunnel model - Kalfire W80/52T



Room divider - Kalfire W53/50R

We offer a wide selection of latest-generation closed wood fire models in a range of sizes.

The first decision is to choose the basic format of your wood fire: a front-facing model, a corner model, a three-sided model, a double-sided tunnel model or a room divider. From there, we offer a wide range of options that allow you to give a personal touch to your choice. Based on your taste and specific preferences, a Kalfire distributor can explain the various options for the frame, the rear panel and the mounting trim. In this way, step by step you can design a unique fire that corresponds exactly to your wishes.





3 types of interior



Skamol



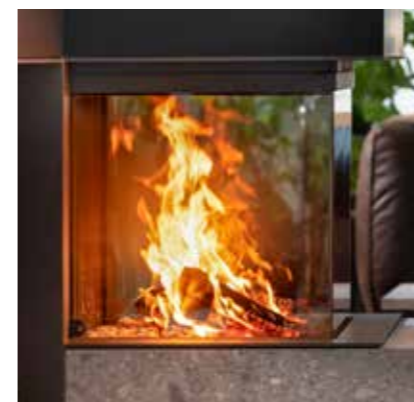
Black steel lamella



Design



Mounting frame frontmodel, 7 cm (8 mm)



Mounting frame roomdivider, 7 cm (8 mm)

The interior of the fire is a key element, as it impacts its appearance and its conviviality, even when the fire is not in operation. It acts as a backdrop to the fire, providing contrast or even reflecting and amplifying the play of flames. Kalfire closed wood fires offer a choice of three different types of interior. All wood fires come as standard with Skamol. Alternatively, you can choose as an option an interior either of steel lamella or patterned with vertical lines (design).

Multiple trims, countless design possibilities

All front and tunnel models are supplied as standard with a mounting trim of 2.5 cm deep and 4 mm thick. The standard mounting trim of the room divider is 3 cm deep and 4 mm thick. As an option, depending on the model, a mounting trim of 7 or 10 cm deep and 4 or 8 cm deep mm thick can be also be chosen.

The large choice of trims offers various customized mounting and surround possibilities to suit all design tastes.

INDIVIDUALITY





Easy to use




Smooth sliding door

Every Kalfire W stove features a sliding door, allowing you to easily add a log to the hearth or to raise the glass panel to enjoy an open fire. Just use the Kalfire key to slide the door upwards and leave it open in any position you choose.

Total flame control

The Kalfire key used to slide open the door also allows you to adjust the intake of secondary air into the hearth. For large, blazing flames, allow more air in by sliding the control to the open position. For a calmer fire, restrict the air by sliding it closed.



A close-up, profile view of a man with curly brown hair and a light beard, smiling warmly. He is wearing a light blue t-shirt and is holding a large stack of cut firewood in front of him. The background is dark and out of focus, suggesting an indoor setting with a fire. The lighting is warm and soft, highlighting the man's features and the texture of the wood.

Easy to light

Our wood fires are designed with ease of use and your comfort in mind. The hearth is deep enough to allow logs to be easily placed and to prevent ash and cinders from falling out when you open the door to add more wood. The built-in thermostat controls the flow of air for combustion, ensuring that the fire lights easily.





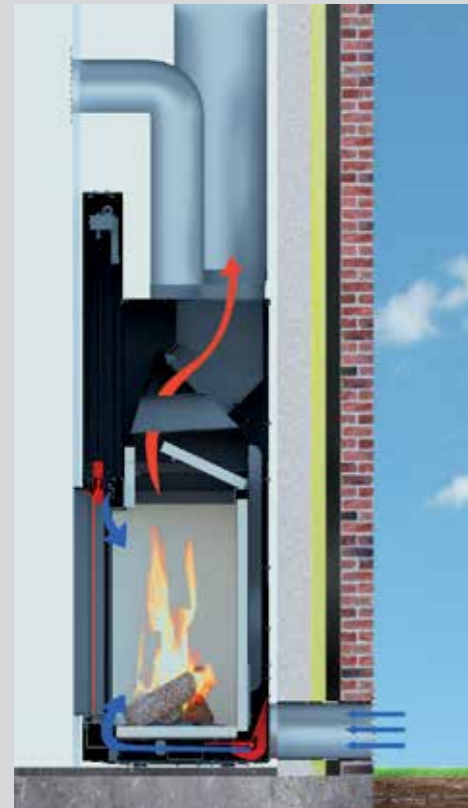
Easy to clean



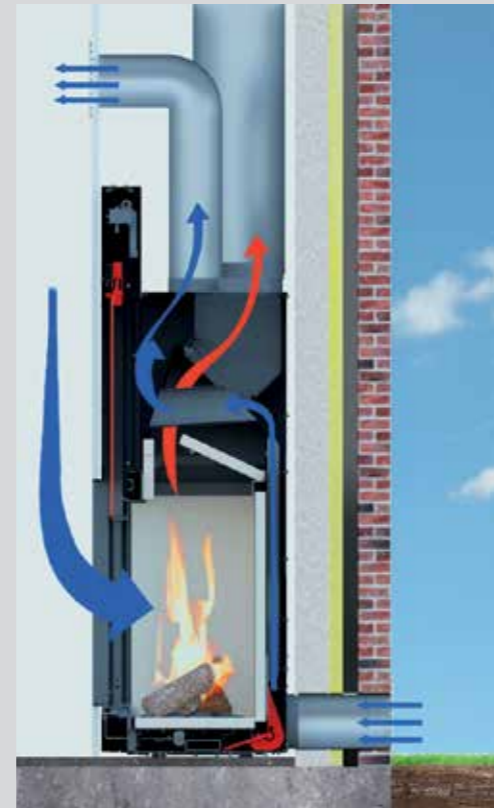
We know from experience: you will only really make the most of your fireplace if it is easy to use. Who wants to have to clean the glass after each fire? Luckily, with a Kalfire W fireplace, that isn't necessary. Its Clean Window system keeps the glass panel virtually untarnished. And when you do want to clean the glass, this couldn't be easier. You just turn the handle 180° to the left to make the panel tilt (front and tunnel models) or slide forward (corner and three-sided models and room divider), giving you easy access to the entire surface.



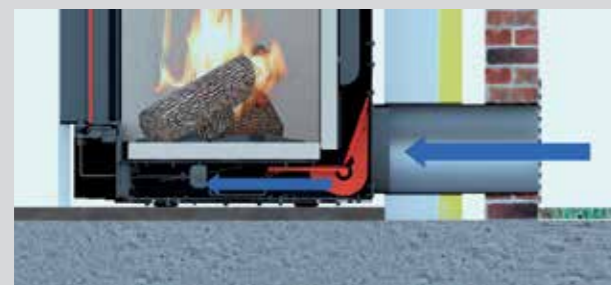
Beautiful on the outside, clever on the inside



door closed



door open



A Kalfire W is not only attractive to look at, but is also packed with built-in intelligent technology. You won't notice the innovations that make this stove so ingenious, apart from the extremely comfortable warmth and pleasant atmosphere it generates. Here we explain some of the key technological features.

Independent of the air in the room

The Kalfire W operates independently of the space where it is installed – when it is closed it does not draw in air from the room. The fire draws in fresh air (often cold) from outside and then discharges the smoke through the chimney flue. The built-in valve system ensures that exclusively cold air from the exterior is used for combustion.

Total control of air circulation

When you open the sliding glass door of the hearth to add wood to the fire, the Kalfire W activates different air flows. The combustion air that the fire draws in directly from the room is compensated by a built-in two-way valve system. The cold air from outside is sent along several integrated heat exchangers and is heated in the convection casing before entering the room. In this way, the Kalfire W not only prevents cold drafts and avoids the release of smoke into the room, but ensures that the air pressure is always in balance.

Airtight

With the door closed, the fire operates independently of the air in the room. This requires an airtight hearth. The hood and the controlled mechanical ventilation system thus have less influence on combustion.

Automated air intake

Primary air intake is automatically regulated during combustion. A built-in thermostat measures the temperature in the hearth and delivers more or less air to the fire as necessary via an innovative valve system. This means the fire is easy to light and produces healthy flames in very little time.

Convection system

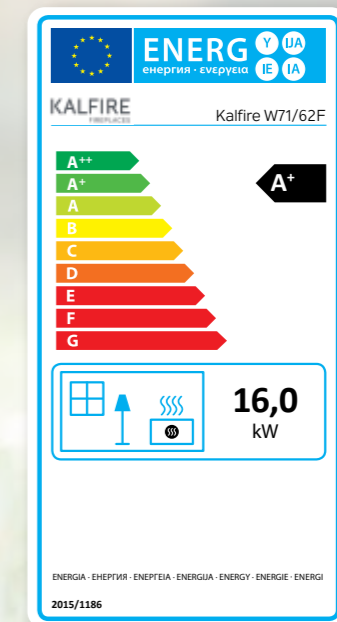
In addition to the heat given off through the glass door (the radiant heat), the convection system also delivers heat to the room. The convection casing allows warm air to enter the room through convection vents.



A fire that respects the environment

Kalfire W closed fires are among the most environmentally friendly wood stoves in the world. Their airtightness and innovative technology ensure optimal combustion, which guarantees high efficiency and minimal emission of carbon monoxide (CO) and fine particles. Its exceptional performance means a Kalfire W fire requires less wood, reducing your environmental impact.

By choosing Kalfire W, you are making a choice for the environment. Our fires meet the strictest European regulations, including CE standards, the stringent Austrian 15A standard, the German BimSchV Stufe 2 standard, and the new, recently published Belgian standards. As a result, not only are Kalfire W fires easy to use, attractive and an excellent source of heat, but they also rank high in environmental performance.





Kalfire distributors share our passion

Our wood fires are available exclusively from our network of distributors, who have been selected with the utmost care. Meticulously trained by Kalfire, they know every aspect of our products down to the smallest detail and share our passion and expertise.

Only a certified Kalfire distributor can install our built-in fires correctly and safely. This will ensure that the fire performs optimally and respects all warranty and safety requirements. Your Kalfire distributor can also help you create the wood fire that meets all your requirements and bears the mark of your individual style. This is our guarantee.

Five-year guarantee

The decision to buy a fireplace often involves much reflection and the planning necessary to make a space in your home for its installation. Kalfire appreciates the time you invest to consider our products and makes every effort to ensure that the fireplace you decide to purchase will not only meet your expectations, but exceed them. Each fireplace and every step of its production and installation are subject to the strictest quality standards in order to guarantee many long years of trouble-free use. Kalfire stoves use only the best materials and proven technology, allowing you to benefit from a five-year guarantee.

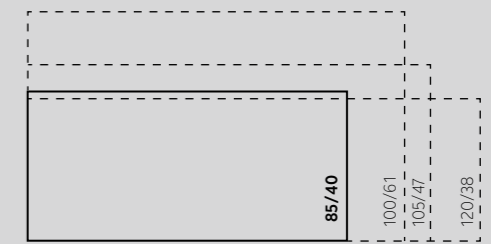
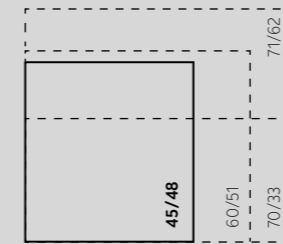


Product range

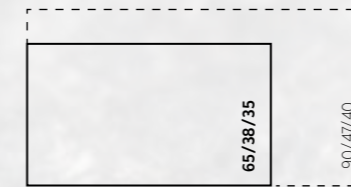
GLASS DIMENSIONS



Front model



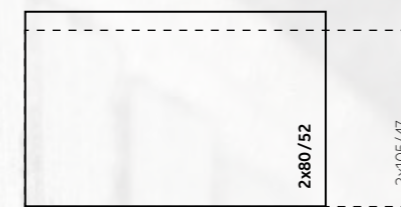
Corner model



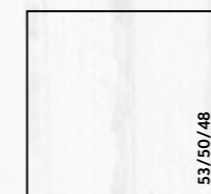
Three-sided model



Double-sided tunnel model



Room divider



width x height x width of side glass

PRODUCT RANGE



Front model

Adapts to
any interior



KALFIRE W85/40F



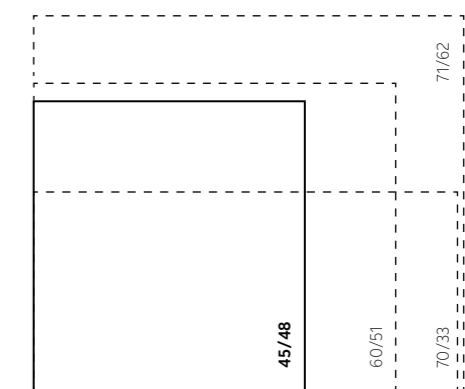


KALFIRE W45/48F

Front model

The front Kalfire W models are available in a wide variety of designs and sizes. The width of the glass panel ranges from 45 to 105 cm, and the shape from virtually square to rectangular. This large choice allows you to find a model to match your interior and the space available.

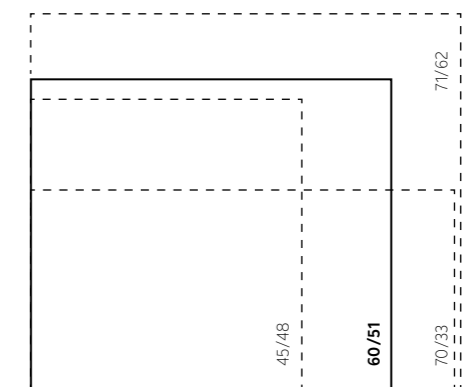
Glass sizes of front models:





KALFIRE W60/51F with 7 cm (8 mm) mounting trim

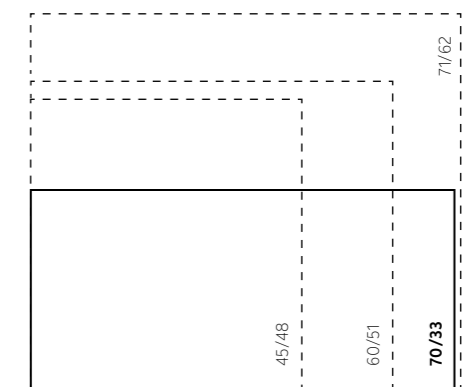
Glass sizes of front models:





KALFIRE W70/33F

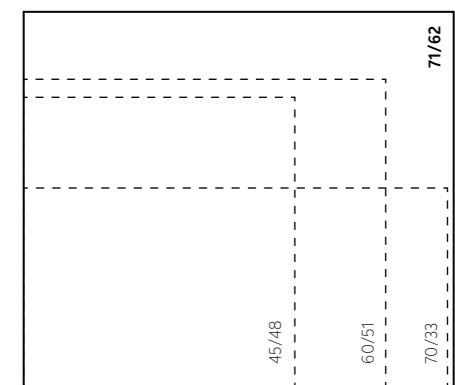
Glass sizes of front models:





KALFIRE W71/62F

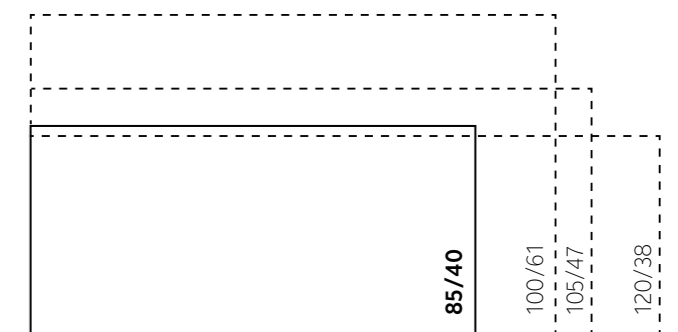
Glass sizes of front models:





KALFIRE W85/40F

Glass sizes of front models:



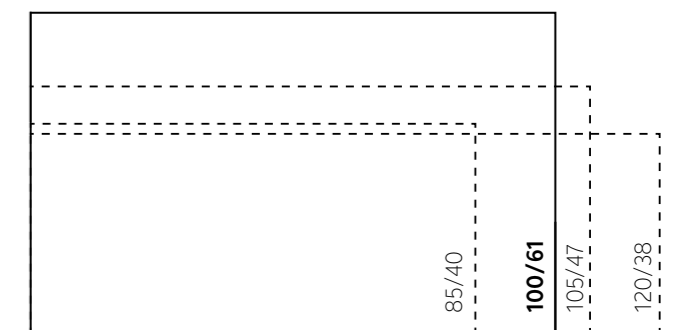
PRODUCT RANGE





KALFIRE W100/61F

Glass sizes of front models:



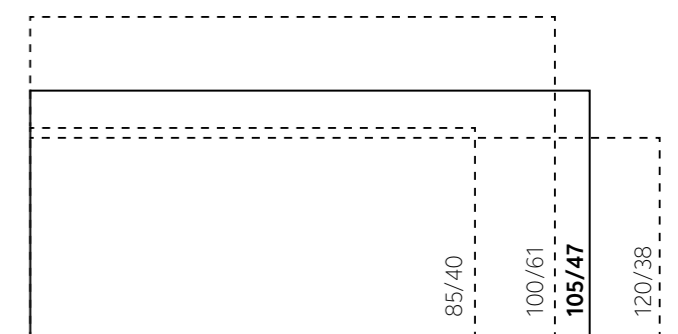
PRODUCT RANGE





KALFIRE W105/47F

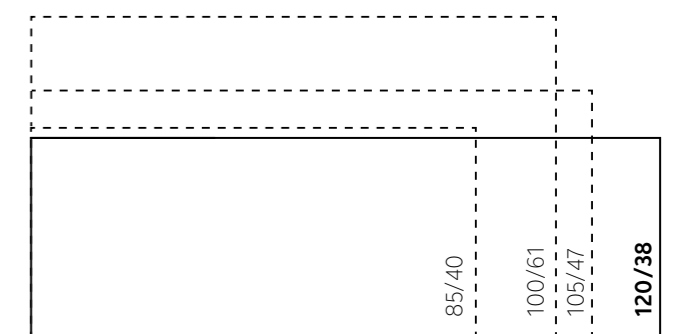
Glass sizes of front models:





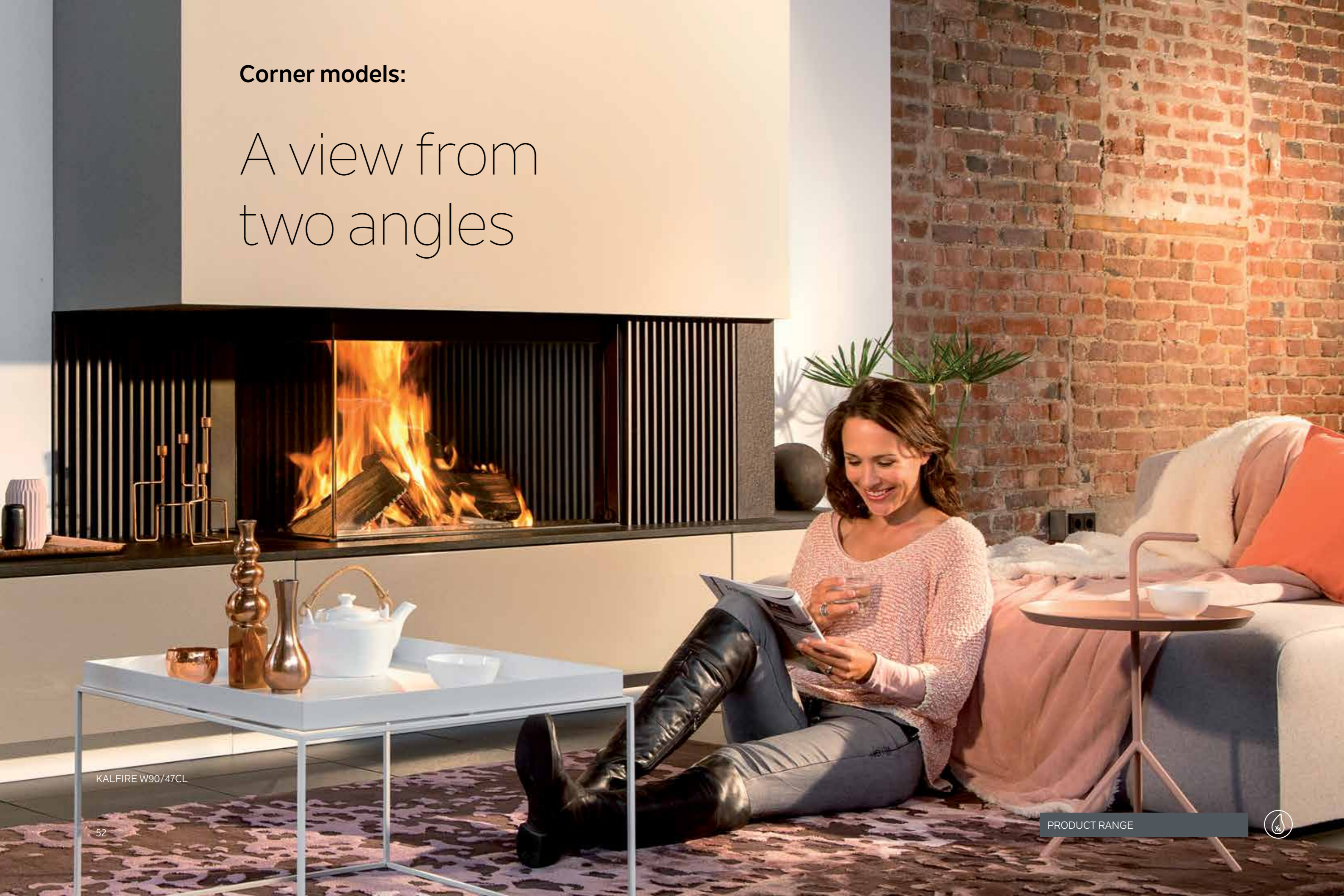
KALFIRE W120/38F

Glass sizes of front models:



Corner models:

A view from two angles



KALFIRE W90/47CL

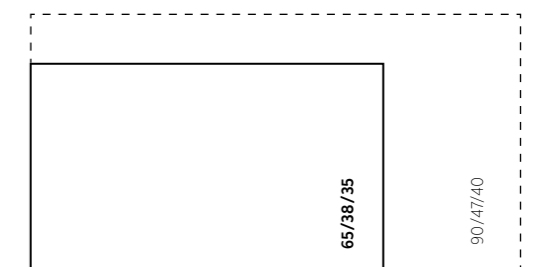




Corner models

The Kalfire W corner model opens up a world of possibilities in your home. Thanks to its shallow installation depth and its uninterrupted rear panel, the fireplace can be perfectly integrated into your interior design or even used as a room divider. In addition, you can opt for an optional 7 cm deep and 8 mm thick mounting trim. Whatever configuration is chosen, you'll be able to view the fire from two sides, doubling your enjoyment.

Glass sizes of corner models:



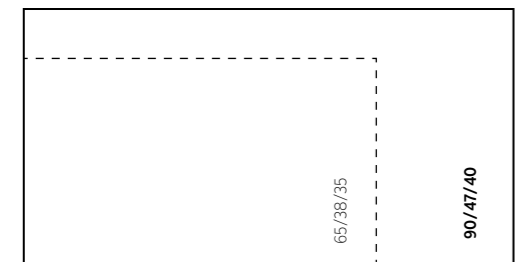
KALFIRE W65/38CL





KALFIRE W90/47CR

Glass sizes of corner models:

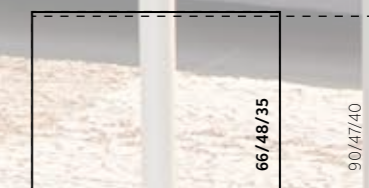


Three-sided models:

Maximum
visibility
of the fire

KALFIRE W66/48S

Glass sizes of three-sided models:



PRODUCT RANGE





KALFIRE W90/47S

Three-sided models

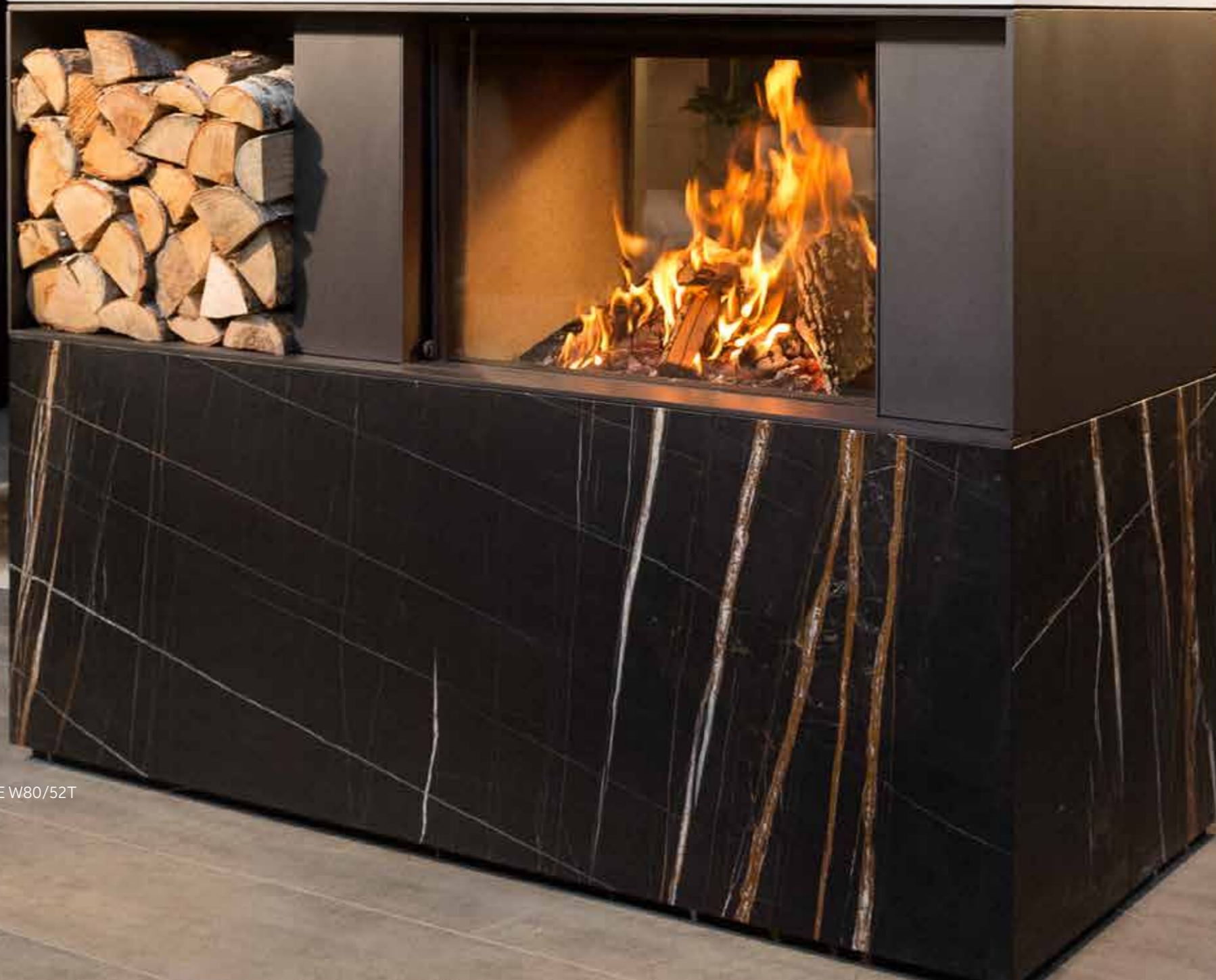
Designing with fire is the best way to describe the three-sided Kalfire W models. This is why interior designers so often include Kalfire fireplaces in their projects. With three sides of glass, these fires offer maximum design flexibility in an interior and give the whole room the welcoming atmosphere of a real wood fire. Whether the style of the interior is cosy or minimalist, a three-sided fireplace will be the focus of attention. The single, angled pane of glass is completely frameless, allowing an unobstructed view of the fire from every angle.

Glass sizes of three-sided models:



Double-sided tunnel model:

A convivial way
to divide a room



KALFIRE W80/52T

Glass sizes of double-sided tunnel models:





KALFIRE GP105/47T

Double-sided tunnel models

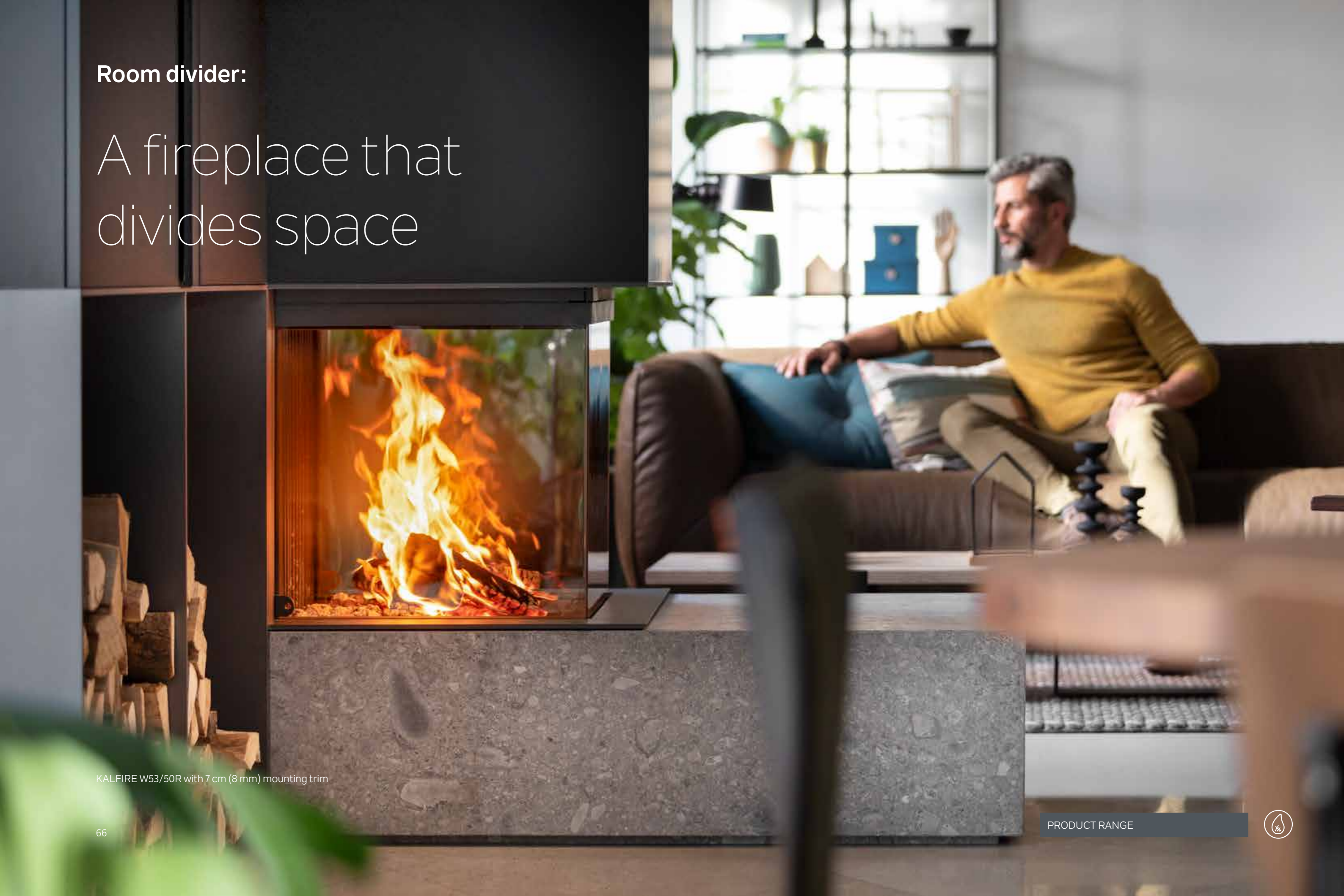
This see-through fireplace succeeds at being both an eye-catching design statement and blending into your interior naturally and unobtrusively. There are a number of ways you can integrate this fire into a room: for example, by embedding it in a dividing wall so the same fire can be enjoyed in two separate adjoining rooms. Or it can be built into a semi-partition so it juts out into the room. Or the tunnel model can be installed on its own as the centrepiece of a room. A Kalfire advisor in one of our showrooms will be happy to help you explore all the possibilities.

Glass sizes of double-sided tunnel models:



Room divider:

A fireplace that
divides space



KALFIRE W53/50R with 7 cm (8 mm) mounting trim



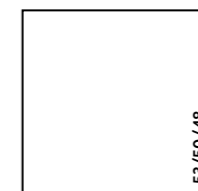


Room divider

Today's homes are increasingly designed with an open plan where areas for different functions flow into one another. The Kalfire W53/50R is the perfect way to split a space without closing it off while simultaneously creating a cosy atmosphere. The seamless curved glass ensures that the captivating flames can be enjoyed from every angle – as can the warmth they provide.

The design potential of this unique fireplace is infinite: it can be integrated into a dividing partition or stand alone, with the flue connection from the back or the top. The sleek design suits any interior.

Glass size of the room divider:



KALFIRE W53/50R with 7 cm (8 mm) mounting trim

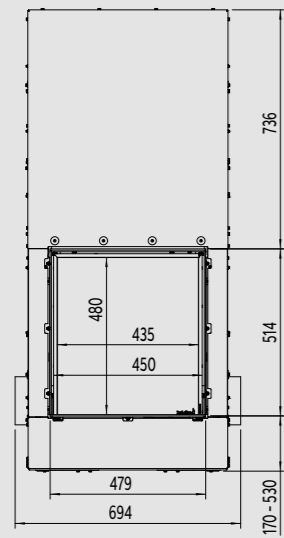


Front model

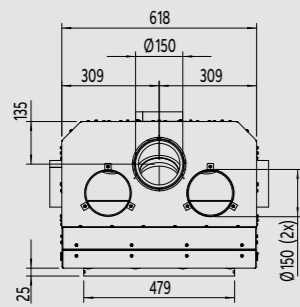
Kalfire W45/48F

page 36

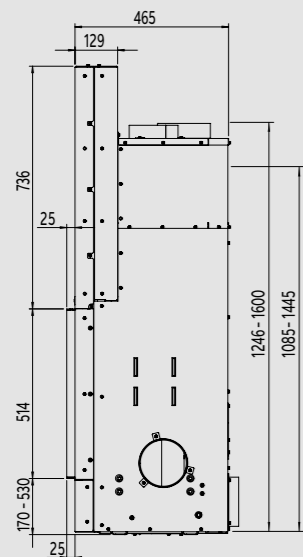
Front view



Top view



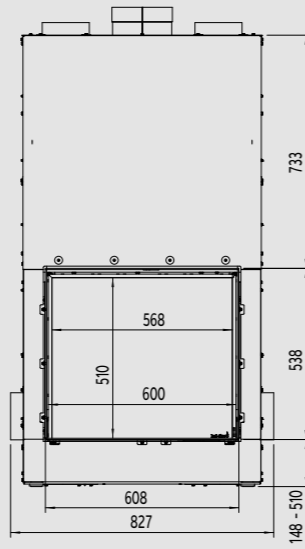
Side view



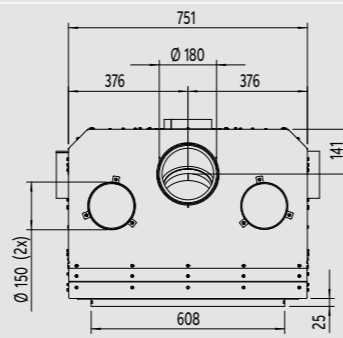
Kalfire W60/51F

page 38

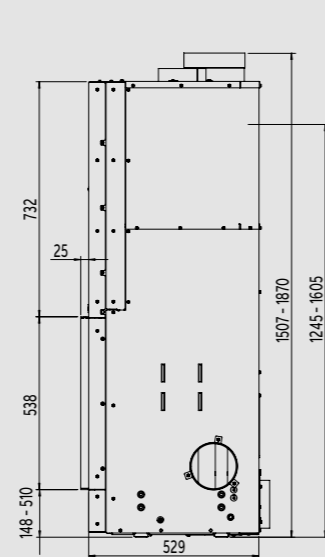
Front view



Top view



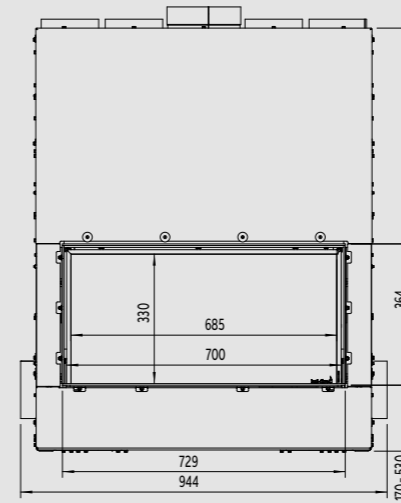
Side view



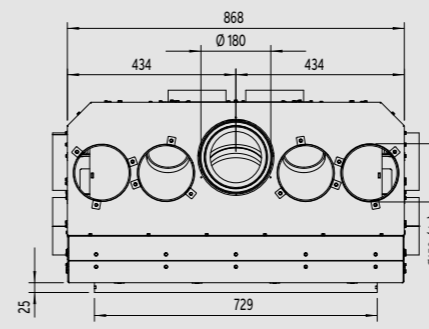
Kalfire W70/33F

page 40

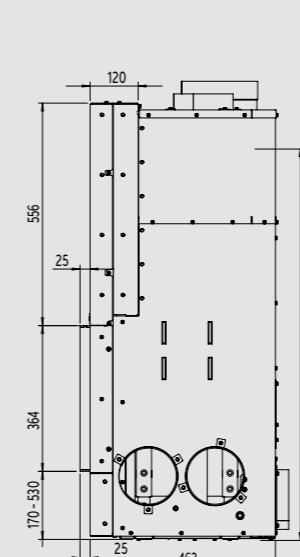
Front view



Top view



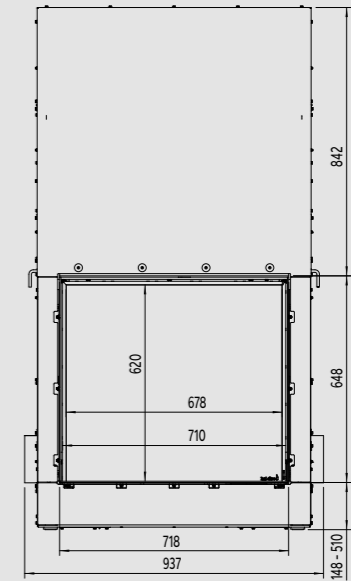
Side view



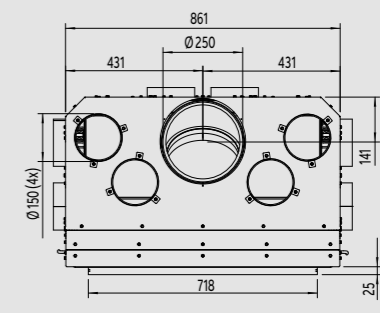
Kalfire W71/62F

page 42

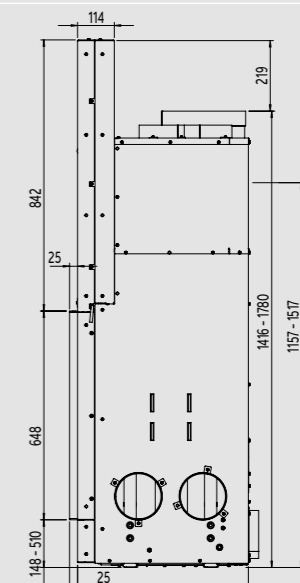
Front view



Top view



Side view

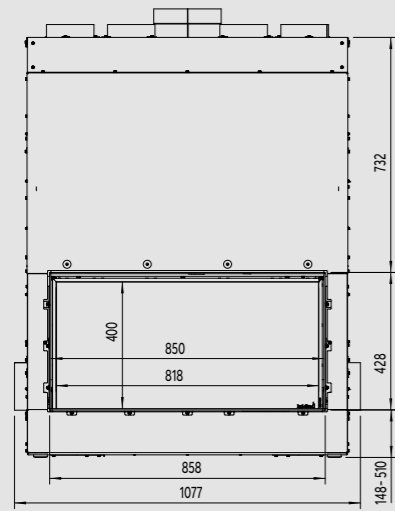


Front model

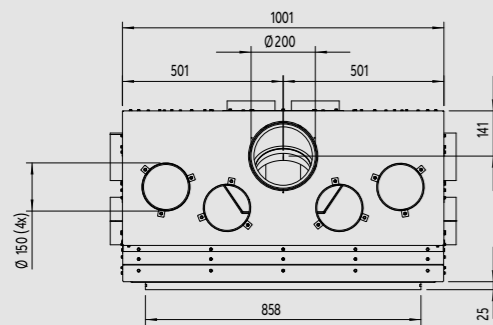
Kalfire W85/40F

page 44

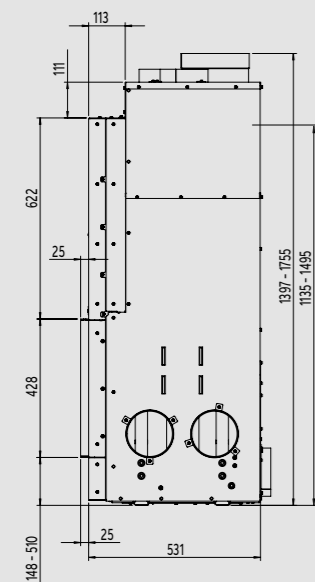
Front view



Top view



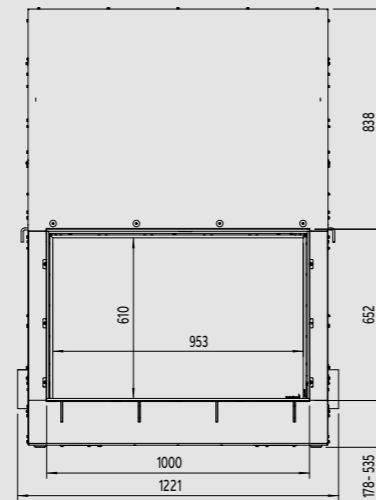
Side view



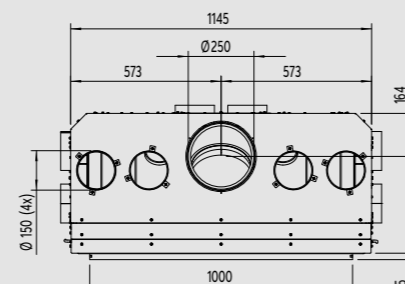
Kalfire W100/61F

page 46

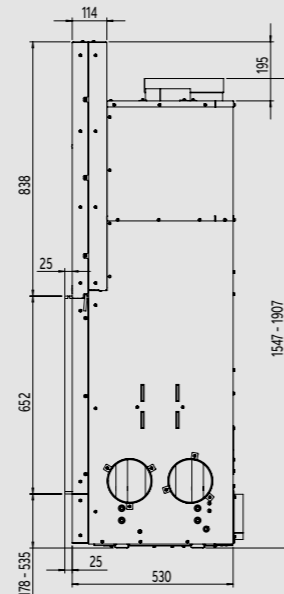
Front view



Top view



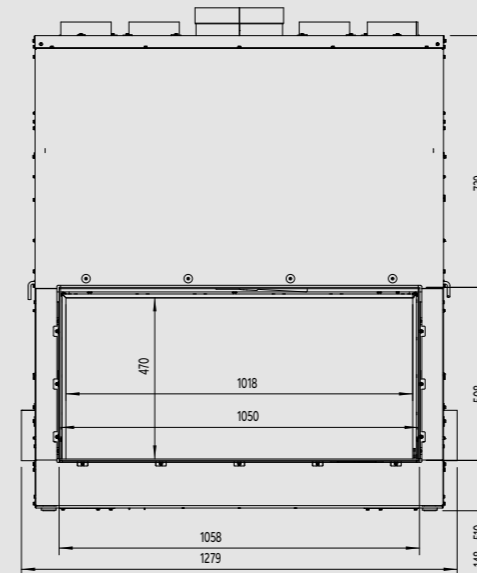
Side view



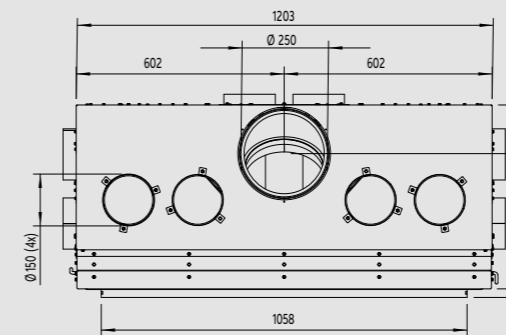
Kalfire W105/47F

page 48

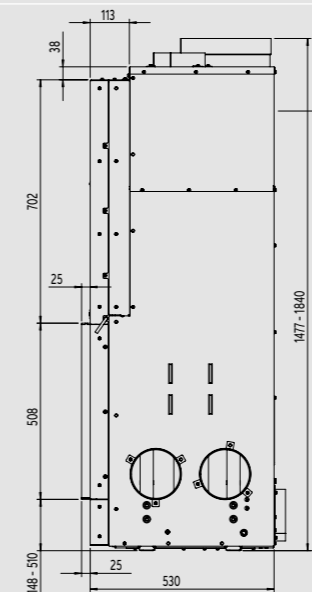
Front view



Top view



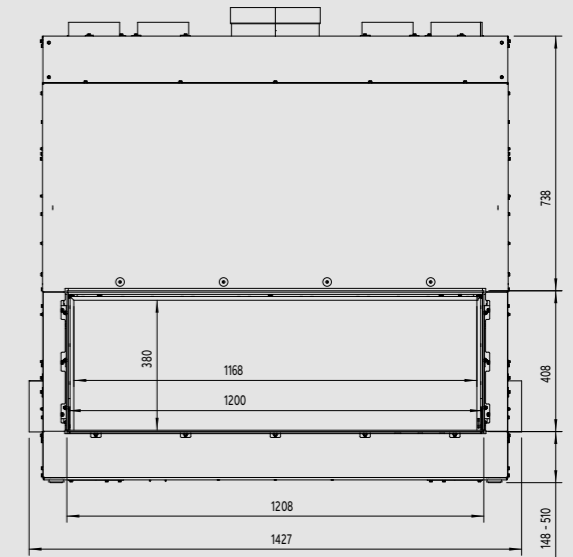
Side view



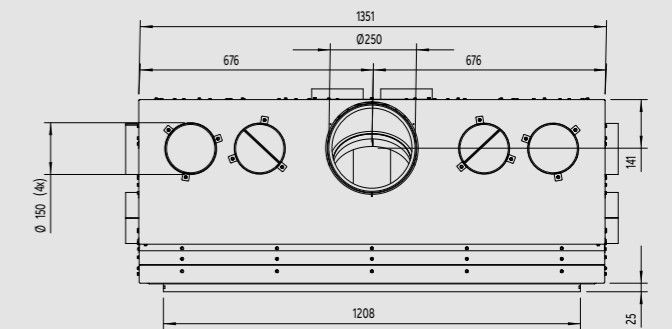
Kalfire W120/38F

page 50

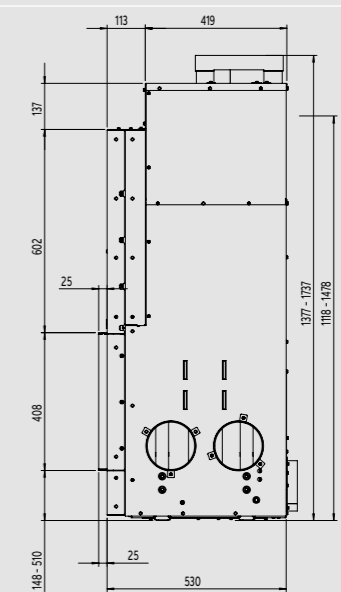
Front view



Top view



Side view

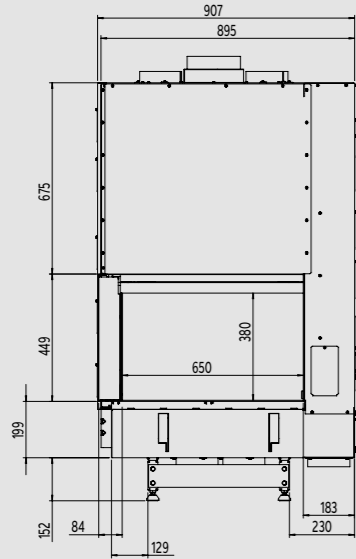


Corner model

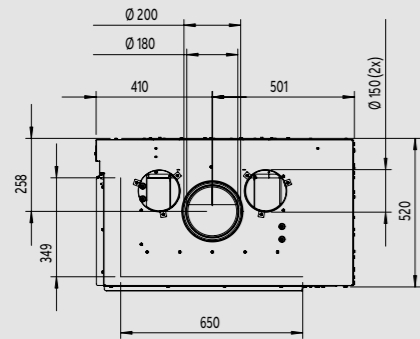
Kalfire W65/38CL

page 54

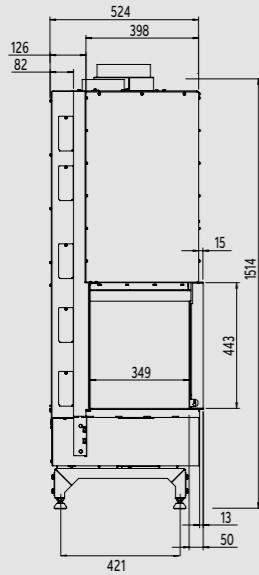
Front view



Top view



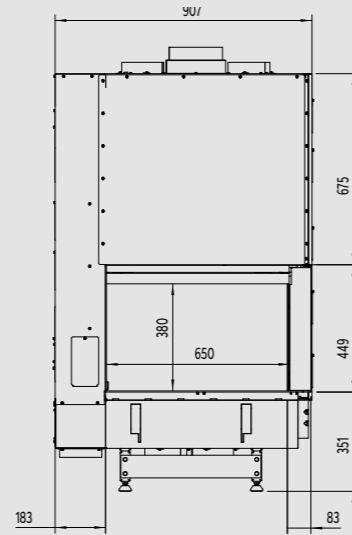
Side view



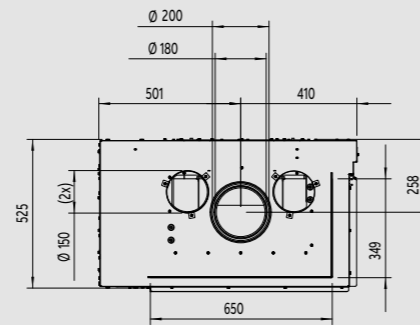
Kalfire W65/38CR

page 54

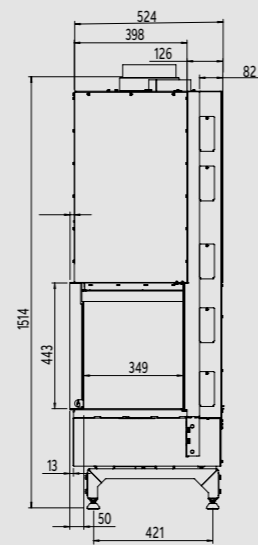
Front view



Top view



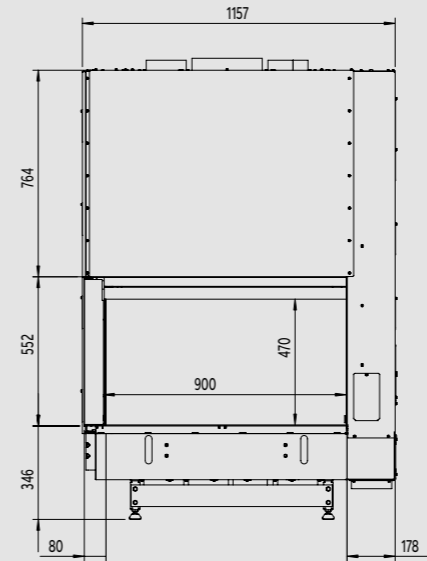
Side view



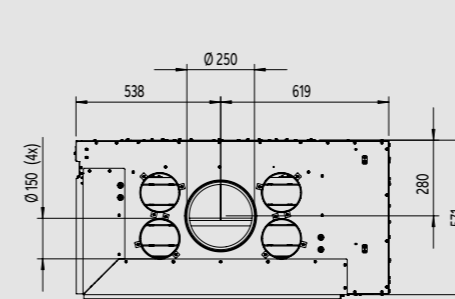
Kalfire W90/47CL

page 52

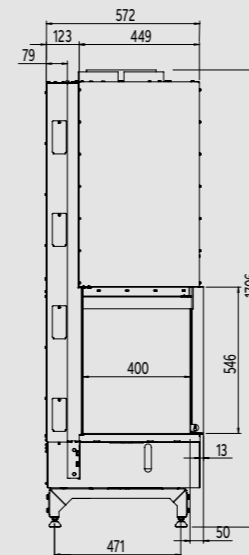
Front view



Top view



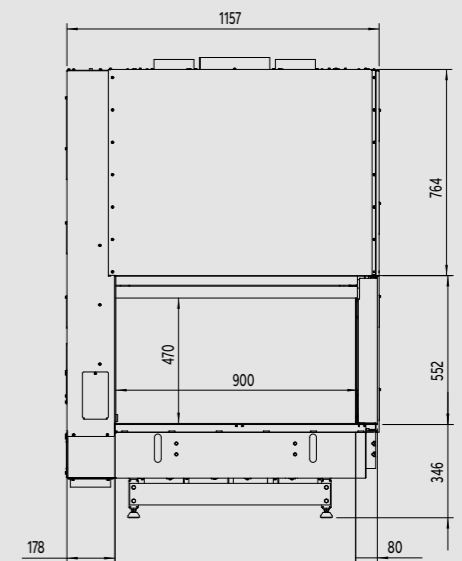
Side view



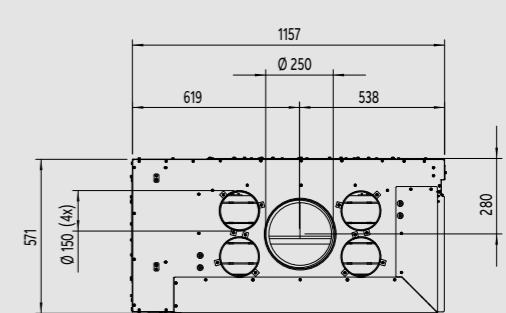
Kalfire W90/47CR

page 56

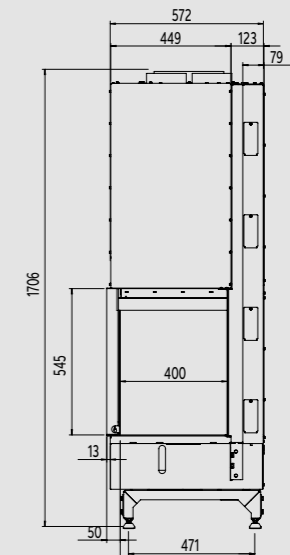
Front view



Top view



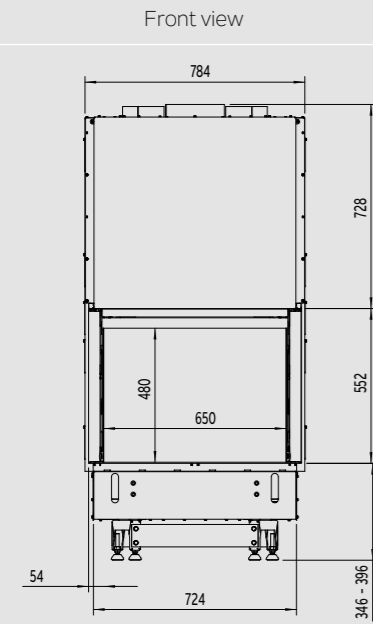
Side view



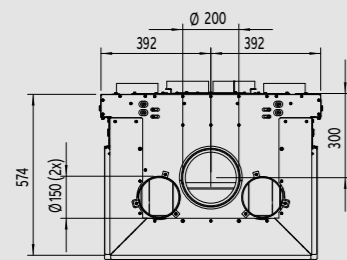
Three-sided model

Kalfire W66/48S

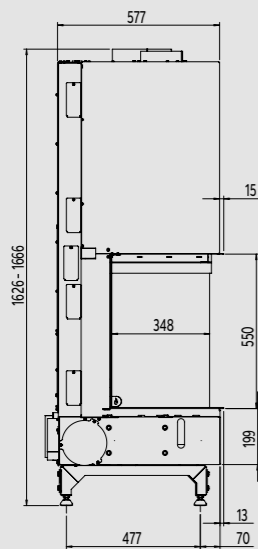
page 58



Top view

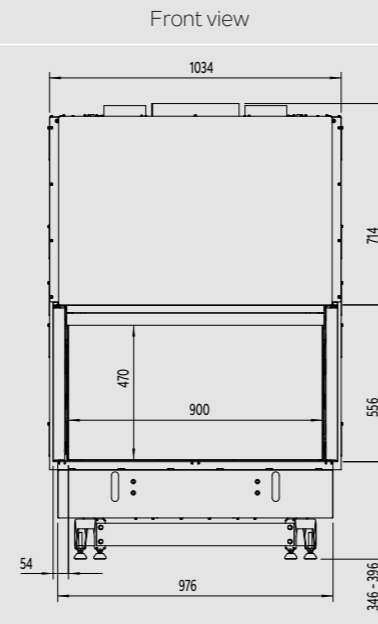


Side view

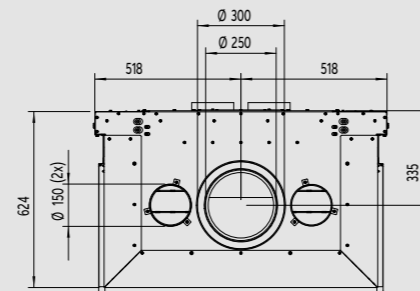


Kalfire W90/47S

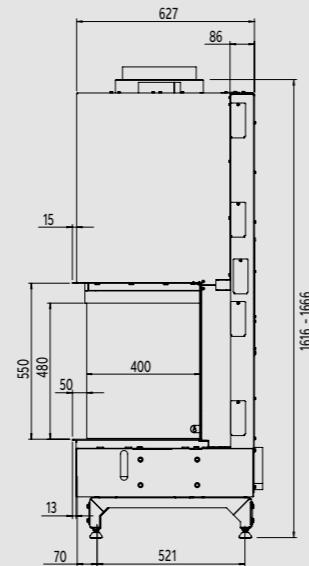
page 60



Top view



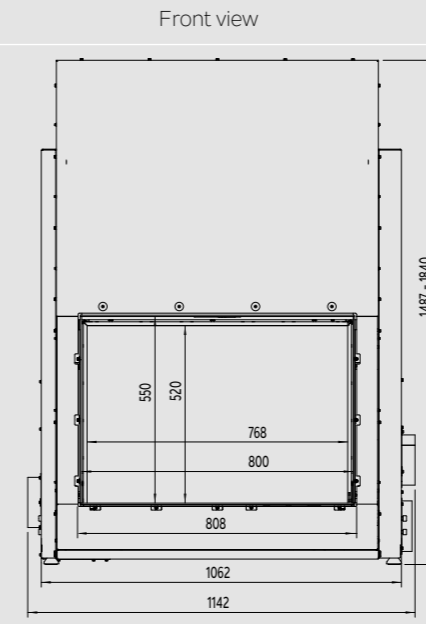
Side view



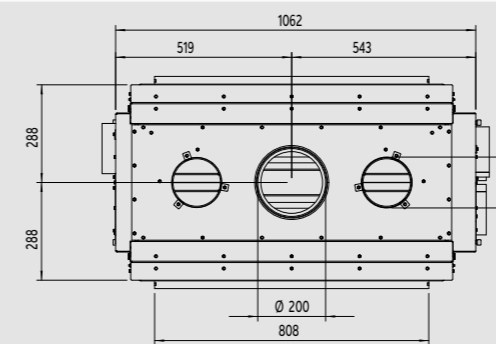
Double-sided tunnel model

Kalfire W80/52T

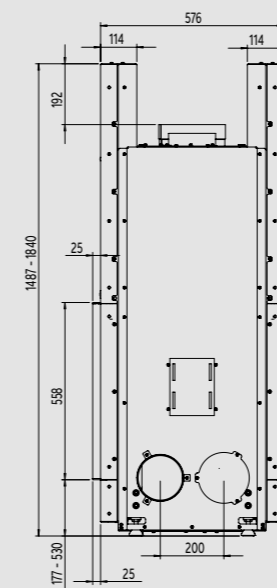
page 62



Top view

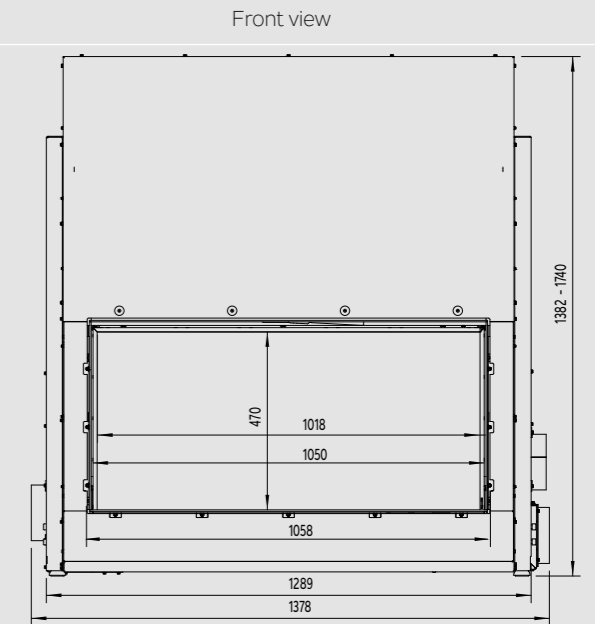


Side view

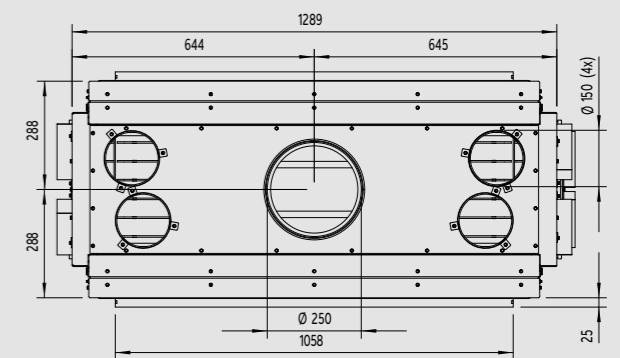


Kalfire W105/47T

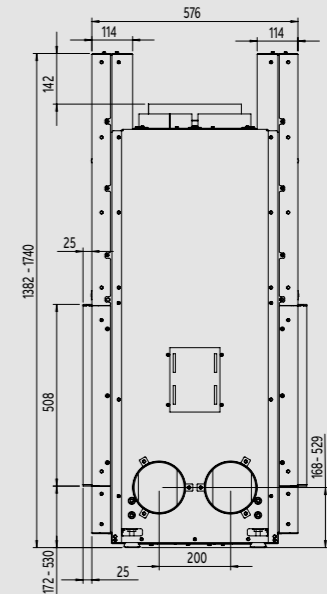
page 64



Top view



Side view

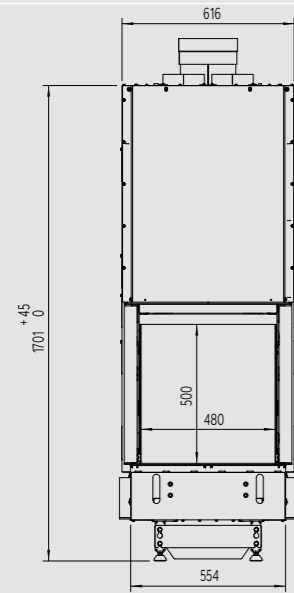


Room divider

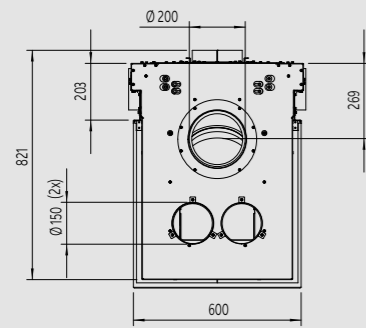
Kalfire W53/50R

page 66

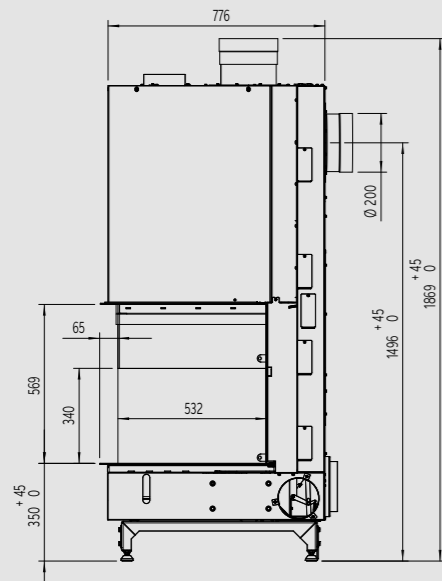
Front view



Top view



Side view



Irish Agents for Kalfire



Web: www.Lamartine.ie

Phone: 01-4502662

Email: info@lamartine.ie

Ballymount Rd. Lower
Walkinstown, Dublin 12,
D12 KR79, Ireland

KALFIRE.COM

KALFIRE
FIREPLACES

Geloërveldweg 21 info@kalfire.com
5951 DH Belfeld - NL **KALFIRE.COM**