



LAMARTINE
FIRES & FIREPLACES

Designed to work beautifully

2020/2021



Electric, Gas, Pellet, Wood,
Oil and Multifuel Stoves,
Cookers and Heat Pumps

Welcome to a world of comfort and warmth

Warming homes for over 80 years, Stanley believe that every home should be able to enjoy the stylish and cosy benefits of a Stanley. All our Stanley appliances deliver common sense and comfort. Its good looks enhance any room, while the 21st century fuel efficiency provides a cosy fireside glow and lower energy bills.

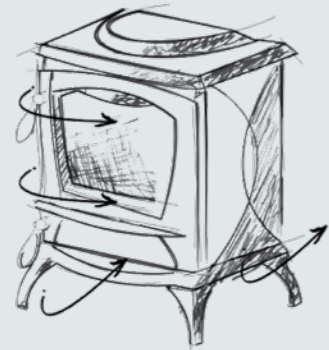
Stanley combines superb craftsmanship and design to create products that suit a modern lifestyle and bring people together over good food, warmth and a strong sense of heritage.

Now with our new Air to Water Heat Pumps and Pellet Stoves, more than ever Stanley provide a state-of-the art, environmentally friendly solution to heating your home.



Your Stanley Story Starts Here	<u>02-03</u>
Stanley Product Chooser	<u>04-05</u>
ARGON Electric Fires	<u>06-11</u>
ARGON Gas Inserts & Stoves	<u>12-27</u>
Stanley Stories	<u>28-29</u>
SOLIS Pellet Stoves	<u>30-37</u>
SOLIS Wood Burning & Multifuel Stoves	<u>38-51</u>
Stanley Classic Stoves	<u>52-75</u>
Stanley Range Cookers	<u>76-87</u>
Stanley Air to Water Heat Pumps	<u>88-91</u>
Specifications Overview	<u>92-93</u>
Dimension Drawings	<u>94-103</u>
Installation	<u>104</u>
Stanley: A Proud Tradition	<u>105</u>

Your Stanley story starts here



As Ireland's leading heating company we understand that when you bring home a Stanley you are choosing a product you can rely on, from a name you can trust. Based in Waterford since 1936 the ideals and dedication to perfection remain unchanged today ensuring that every appliance that bears the Stanley name is of the highest quality.



Every home should have a Stanley

Over **400,000 Irish households** have already said yes to the control, efficiency and comfort that comes as standard with a Stanley.

RANGE OF MODELS

Range of Styles - Insert, Cassette, Built in, Wall Hung or Freestanding, there's a model to suit everyone's needs.

Energy outputs - Whether it's simply an electric fire to provide ambience in your home or the Reginald stove which will heat up to 14 radiators, we have a Stanley to suit you.

Choice of Fuels - Stanley have a comprehensive range of products in various fuels types: electric fires and inserts, gas fires and stoves, wood and multifuel stoves, oil, multifuel, all electric and dual fuel cookers. We have a Stanley for your home.

ADDED FEATURES

Controllability - Our ARGON electric and gas stoves have remote control capability so you can control it at the touch of a button. Our Classic and SOLIS stove range have primary and secondary air controls to aid combustion and airwash to keep the glass clean. Our oil range cookers have controls for separate heat, hot water and cooking.

External Air capability - is available for many of our stoves as an optional extra. External Air is used in well-insulated houses for mechanical ventilation, and directs air from the outside into the stove to aid efficient combustion.

Create your flame picture - You can adjust the colours of the flame picture on our ARGON Electric Wall Hung and Built in models using the Red, Yellow & Blue Flame Buttons. By pressing one of these buttons, the level of the chosen colour will reduce so that the desired flame colour can be achieved.

TALK TO SOMEONE WHO OWNS ONE

Follow your heart to Stanley, and if you need convincing, talk to somebody who already has one. They'll tell you how much you save, and how much more you gain. Why not check our Stanley Stories online or in this brochure from people who have a Stanley in their home?

A NAME TO TRUST

As Ireland's leading heating company, every single product that bears the Stanley name is designed to the highest standards and built to last. Throughout Ireland, home heating experts are available in your local Stanley retailers to offer advice and guide you in choosing the best Stanley appliance to suit your needs. Our Customer Service team in Waterford are always on hand to provide expert advice on spare parts availability and after sales support on your Stanley.

ECODESIGN 2022

Ecodesign is the European-wide programme to lower emissions to improve air quality from a range of appliances that use energy including stoves and will come into force 1st January 2022. It will apply to both wood burning and solid fuel stoves.

Waterford Stanley is committed to certifying its stoves for Ecodesign 2022. Where you see the Ecodesign logo on our SOLIS and Classic range, they have already been certified for Ecodesign 2022.

CERTIFICATION AND TESTING

Before a product receives the Stanley seal of approval, our research and development team carry out exhaustive safety, quality and performance testing, measuring heat economy, CO emissions and build durability. Every stove is then independently tested and approved to the relevant European Standard.



The perfect match

Find the ideal Stanley for your home

Room only 

Room & Central Heating 

INSERT STOVES



ARGON Electric 2kW
p.6



CARA Gas (<37m²) 5.5kW
p.26



SOLIS I500 (<37m²) 5kW
p.40



SOLIS I900 (<43m²) 9kW
p.42



SOLIS I100/80DS
(<78m²) 14 & 16kW
p.44



Cara Insert Mk III
(<37m²) 6.5kW
p.26 p.70



Cara Glass
(<37m²) 6.5kW
p.26 p.72



I5001 Elegance
(43m²) 7kW
p.18



I5003 Panoramic
(43m²) 7kW
p.20

FREESTANDING STOVE



ARGON Gas (<37m²) 5.5kW
p.22



SOLIS F500 Edge (<37m²) 5kW
p.46



SOLIS F650 Style (<37m²) 6.5kW
p.46 p.14



SOLIS F800 Grande (<43m²) 8kW
p.48



SOLIS F900 Ridge (<43m²) 9kW
p.46 p.16



SOLIS F1100 Panoramic (<78m²) 11kW
p.50



Oisin (<37m²) 6.4kW
p.68



Oscar (<43m²) 7kW
p.66



Aoife (<43m²) 7.3kW
p.64



Tara (<43m²) 8kW
p.62



Ardmore Eco (<43m²) 9kW
p.58



Lismore (<64m²) 12kW
p.56

PELLET STOVES



SOLIS K100 (<43m²) 8kW
p.32



SOLIS K300 (<43m²) 8kW
p.34

To find out which Stanley stove is your perfect match, measure your room, then use this calculation to find your room size in metres and the heat output in kW of the stove.
Find your perfect match online at www.waterfordstanley.com/stanley-stoves/stove-chooser

<input type="text"/>	X	<input type="text"/>	X	<input type="text"/>
Height (m)		Length (m)		Width (m)
= <input type="text"/> x .0606 = <input type="text"/> kW				

Product Chooser

FREESTANDING STOVE



Tara | Up to 6 radiators
p.62



Lismore | Up to 10 radiators
p.56



Erin | Up to 10 radiators
p.60



Reginald | Up to 12 radiators
p.54

PELLET STOVE



SOLIS K1700+ | Up to 12 radiators
p.36




SOLIS K2300+ | Up to 16 radiators
p.36




Cara + | Up to 10 radiators
p.74

INSERT STOVE


RANGE COOKERS




Dartry | Up to 10 radiators
p.84




Brandon 60 | Up to 12 radiators
p.78




Donard | Up to 12 radiators
p.82




Brandon Condensing | Up to 16 radiators
p.78



Brandon 80 | Up to 16 radiators
p.80



Brandon 100 | Up to 20 radiators
p.80



Supreme Deluxe | Cooking Only
p.86

Number of radiators only a guide and for a more accurate calculation, consult with your plumber.



Wall Hung 200cm shown

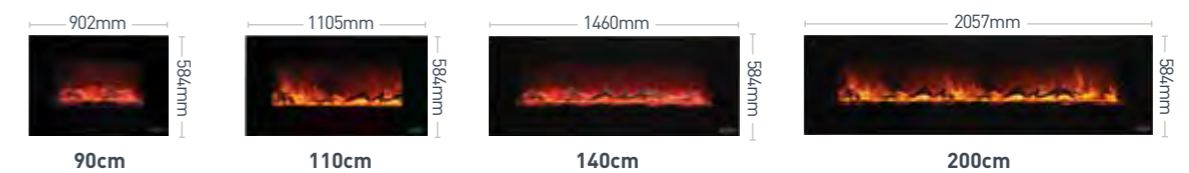
ARGON Wall Hung Electric Fires

Add luxury to any room with a minimum of effort. The ARGON coloured flame and wood log feature is a beautiful thing to behold and creates a stunning focal point in any room. Freedom to place in any room in your home.

FEATURES

- > Output: Flame only, 1kW and 2kW options
- > Wall Mounted full width glass front
- > Variable flame effect with no heat setting
- > Adjustable flame effect brightness with 3 colour settings – red, yellow and blue
- > Full width log set included
- > Manual & Full Remote Control with LCD Display
- > Remote Control functions:
 - 1) 7 day timer
 - 2) Built in thermostat
 - 3) Open window function
- > Can be recessed to 58mm for compact installation

DIMENSIONS



BENEFITS

- > Installation has never been easier – All you need is the wall space and a 3 pin socket
- > Create your own style. You can wall mount or recess your ARGON fire using kits provided. The unit may be recessed to 58mm for compact installation
- > Range of sizes to suit everyone's needs - 90cm, 110cm, 140cm and sizeable 200cm fire
- > Create your flame picture - You can adjust the colours of the flame picture using the Red, Yellow & Blue Flame Buttons. By pressing one of these buttons, the level of the chosen colour will reduce so that the desired flame colour can be achieved
- > Open Window Function - The Open Window function when selected will ensure that the heating function on the unit turns off in a situation where a window is left open
- > 2 year parts and labour warranty



FULLY REMOTE CONTROLLED

See page 94 for detailed dimension drawings. Please consult product technical manuals for dimensions and guidelines before installation.



125cm Built In shown

ARGON Built in Electric Fires

If you want something a little bit sleeker, the ARGON built in range of fires offer stylish warmth when they are installed. With the same visual flame and wood log features as the wall hung models, the ARGON electric is a beautiful thing to behold.

FEATURES

- › Output: Flame only, 1kW and 2kW options
- › Built-in with steel frame
- › Variable flame effect with no heat settings
- › Adjustable flame effect brightness with 3 colour settings – red, yellow and blue
- › Full width log set included
- › Manual & Full Remote Control with LCD Display
- › Remote Control functions: 1) 7 day timer, 2) built in thermostat, 3) open window function
- › Fully recessed for compact installation

DIMENSIONS



BENEFITS

- › Installation has never been easier – All you need is the wall space and a 3 pin socket
- › Available in 2 sizes – 100cm and 125cm
- › Create your flame picture - You can adjust the colours of the flame picture using the Red, Yellow & Blue Flame Buttons. By pressing one of these buttons, the level of the chosen colour will reduce so that the desired flame colour can be achieved
- › Open Window Function - The Open Window function when selected will ensure that the heating function on the unit turns off in a situation where a window is left open
- › 2 year parts and labour warranty



ELECTRIC HEATER



REMOTE OPERATION



VARIABLE FLAME EFFECT



EFFICIENCY (A RATED)



FULLY REMOTE CONTROLLED

See page 94 for detailed dimension drawings. Please consult product technical manuals for dimensions and guidelines before installation.



Bailey Insert shown

ARGON Bailey and Arranmore Fire Insets

Good looks come in all shapes and sizes. The Arranmore and Bailey fire insets will add a sense of cosiness to any room. Available in satin black and chrome finishes with adjustable flame settings and remote control options, simply plug and play your Bailey or Arranmore today.

FEATURES

- > Flame only, 1kW and 2kW options
- > Adjustable flame effect with no heat function
- > Two heat settings plus overheat function
- > 3 light settings: 1) Flame/Coal
2) Coal only
3) Flame only
- > Remote control with 7 day programmer
- > LED display under canopy displays time, heat setting, timer setting and room temperature
- > No Flue required
- > Built in room stat

DIMENSIONS



Bailey



Arranmore

BENEFITS

- > Installation has never been easier – All you need is a fireplace and a 3 pin socket
- > Controllability at your fingertips - Remote Control
- > Fits into standard fireplace opening - 16" or 18"
- > Easy to install - Simply plug and play
- > 2 year parts and labour warranty



FULLY REMOTE CONTROLLED



ELECTRIC HEATER



REMOTE OPERATION



VARIABLE FLAME EFFECT



EFFICIENCY (A RATED)

See page 95 for detailed dimension drawings. Please consult product technical manuals for dimensions and guidelines before installation.

Our new range of contemporary freestanding and insert gas stoves have outputs between 2kW and 7kW and are available in Natural Gas or LPG.



ARGON GAS

I5003 Panoramic Stove shown

NEW RANGE



ARGON F650 Gas shown

ARGON F650 Gas Stove

Smallest in our freestanding gas range, the ARGON F650 offers the same great heat output as larger gas stoves. With realistic gas flames including a second burner which offers stunning flame picture and eco flame model which allows you increase the flame without increased consumption, the ARGON F650 is the ideal stove for many homes.

FEATURES

- > Output controllable 2kW to 5.5kW
- > Natural Gas and LPG Options available
- > Graphite steel frame with cast iron door
- > Remote control with smartphone app option
- > Balanced flue top outlet only
- > Remote control functionality: [1] 7-day timer, [2] Child lock [3] Countdown timer [4] Built in room stat
- > High efficiency – up to 83%
- > Eco Flame mode for reduced running costs
- > Ceramic log fuel bed

DIMENSIONS



BENEFITS

- > No need for a chimney. All you need is an external wall
- > Creates a stunning focal point in any room
- > Warm your home in the flick of a switch
- > Dual burner technology for variable flame picture, means you can increase flame picture without increased consumption
- > Eco Flame mode - reduces costs by 50% making it more efficient to run
- > 2 year parts and labour warranty

OPTIONAL EXTRAS

- > Wi-Fi modem for smartphone operation
- > Mains adapter



FULLY REMOTE CONTROLLED



BALANCED FLUE



REMOTE OPERATION



DUAL BURNER



2 YEAR WARRANTY



ECO FLAME MODE

See page 95 for detailed dimension drawings. Please consult product technical manuals for dimensions and guidelines before installation.

NEW RANGE



ARGON F900 Gas Stove

The ARGON F900 gas stove offers stylish looks and plenty of heat. With realistic gas flames including a second burner which offers stunning flame picture and eco flame model which allows you increase the flame without increased consumption, the ARGON F900 is the ideal stove for anyone's home.

FEATURES

- > Output controllable 2kW to 5.5kW
- > Natural Gas and LPG Options available
- > Graphite steel frame with cast iron door
- > Remote control with smartphone app option
- > Balanced flue top outlet only
- > Remote control functionality: [1] 7-day timer, [2] Child lock, [3] Countdown timer [4] Built in room stat
- > High efficiency up to 83%
- > Eco Flame mode for reduced running costs
- > Ceramic log fuel bed

DIMENSIONS



BENEFITS

- > No need for a chimney. All you need is an external wall
- > Creates a stunning focal point in any room
- > Warm your home in the flick of a switch
- > Dual burner technology for variable flame picture, means you can increase flame picture without increased consumption
- > Eco Flame mode - reduces costs by 50% making it more efficient to run
- > 2 year parts and labour warranty

OPTIONAL EXTRAS

- > Wi-Fi modem for smartphone operation
- > Mains adapter



FULLY REMOTE CONTROLLED



ALSO AVAILABLE IN MULTIFUEL VERSION



BALANCED FLUE



REMOTE OPERATION



DUAL BURNER



2 YEAR WARRANTY



ECO FLAME MODE

See page 95 for detailed dimension drawings. Please consult product technical manuals for dimensions and guidelines before installation.



NEW RANGE

ARGON I5001 Elegance Gas Stove

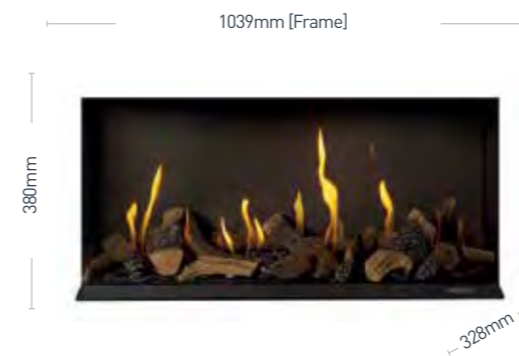
For a contemporary look combined with high output and efficiency, the Stanley ARGON I5001 Elegance will add a stunning focal point in any room.

The I5001 Elegance offers realistic gas flames with variable controls which allow you to increase the flame picture without increased gas consumption.

FEATURES

- › Output controllable 2.3kW to 7kW
- › Natural Gas and LPG Options available
- › Full front glass for stunning flame picture
- › Remote control with smartphone app option
- › Mains adapter as standard
- › Balanced flue top outlet only
- › Remote control functionality: [1] 7 day timer, [2] Child lock, [3] Countdown timer [4] Built in room stat
- › High efficiency up to 83%
- › Eco Flame mode for reduced running costs
- › Ceramic log fuel bed

DIMENSIONS



BENEFITS

- › No need for a chimney. All you need is an external wall
- › Creates a stunning focal point in any space
- › Warm your home in the flick of a switch
- › Eco Flame mode - reduces costs by 50% making it more efficient to run
- › 2 year parts and labour warranty

OPTIONAL EXTRAS

- › Wi-Fi modem for smartphone operation



FULLY REMOTE CONTROLLED



BALANCED FLUE



REMOTE OPERATION



2 YEAR WARRANTY



ECO FLAME MODE

See page 96 for detailed dimension drawings. Please consult product technical manuals for dimensions and guidelines before installation.



NEW RANGE

ARGON I5003 Panoramic Gas shown

ARGON I5003 Panoramic Gas Stove

The Stanley ARGON I5003 Panoramic is a stunning three sided gas insert stove which allows you to view the fire from all angles of a room. With realistic gas flames and eco flame model which allows you increase the flame without increased consumption, the I5003 frameless Panoramic gas fire is statement piece in any room.

FEATURES

- › Output controllable 2.3kW to 7kW
- › Natural Gas and LPG Options available
- › Three sided glass frame allows you to view the fire from all angles of a room
- › Remote control with smartphone app option
- › Mains adapter as standard
- › Balanced flue top outlet only
- › Remote control functionality: [1] 7 day timer [2] Child lock [3] Countdown timer [4] Built in room stat
- › High efficiency up to 83%
- › Eco Flame mode for reduced running costs
- › Ceramic log fuel bed

DIMENSIONS



BENEFITS

- › No need for a chimney. All you need is an external wall
- › Creates a stunning focal point in any space
- › Warm your home in the flick of a switch
- › Eco Flame mode - reduces costs by 50% making it more efficient to run
- › 2 year parts and labour warranty

OPTIONAL EXTRAS

- › Wi-Fi modem for smartphone operation



FULLY REMOTE CONTROLLED



BALANCED FLUE



REMOTE OPERATION



2 YEAR WARRANTY



ECO FLAME MODE

See page 96 for detailed dimension drawings. Please consult product technical manuals for dimensions and guidelines before installation.



ARGON F500 Oval Gas shown

ARGON F500 Oval Gas

The ARGON F500 Oval gas stove offers controllability at your fingertips and a fantastic flame picture giving you all the advantages of a contemporary wood burning stove but none of the hard work. It also features a stunning large glass window almost the full length of the stove providing optimum views of the fire.

FEATURES

- > Output controllable 2kW to 5.5kW
- > Natural Gas and LPG Options available
- > Double glazed door & side panels
- > Extended glass door & side panels
- > Remote control with smartphone app option
- > Balanced flue top outlet only
- > Remote control functionality: 1) 7 day timer, 2) Child lock, 3) Countdown timer 4) Built in room stat
- > High efficiency up to 83%
- > Eco Flame mode for reduced running costs
- > Ceramic log fuel bed

DIMENSIONS



BENEFITS

- > No need for a chimney. All you need is an external wall
- > Creates a stunning focal point in any room
- > Warm your home in the flick of a switch
- > Dual burner technology for variable flame picture, means you can increase flame picture without increased consumption
- > Eco Flame mode - reduces costs by 50% making it more efficient to run
- > 2 year parts and labour warranty

OPTIONAL EXTRAS

- > Wi-Fi modem for smartphone operation
- > Mains adapter



FULLY REMOTE CONTROLLED



BALANCED FLUE



REMOTE OPERATION



DUAL BURNER



2 YEAR WARRANTY



ECO FLAME MODE



ARGON F500 Slim Gas shown

ARGON F500 Slim Gas

With a slimmer design and flat sides, the ARGON F500 Slim profile offers a different styling design. However, it still has the curved panoramic glass and the large side windows so you really see the depth of the dancing flame.

FEATURES

- › Output controllable 2kW to 5.5kW
- › Natural Gas and LPG Options available
- › Double glazed door & side panels
- › Remote control with smartphone app option
- › Balanced flue top outlet only
- › Remote control functionality: 1) 7 day timer, 2) Child lock, 3) Countdown timer, 4) Built in room stat
- › High efficiency up to 83%
- › Eco Flame mode for reduced running costs
- › Ceramic log fuel bed

DIMENSIONS



BENEFITS

- › No need for a chimney. All you need is an external wall
- › Creates a stunning focal point in any room
- › Warm your home in the flick of a switch
- › Dual burner technology for variable flame picture, means you can increase flame picture without increased consumption
- › Eco Flame mode - reduces costs by 50% making it more efficient to run
- › 2 year parts and labour warranty

OPTIONAL EXTRAS

- › Wi-Fi modem for smartphone operation
- › Mains adapter



FULLY REMOTE CONTROLLED



BALANCED FLUE



REMOTE OPERATION



DUAL BURNER



2 YEAR WARRANTY



ECO FLAME MODE

See page 96 for detailed dimension drawings. Please consult product technical manuals for dimensions and guidelines before installation.



Cara Glass shown

Cara and Cara Glass Insert Gas

The Cara and Cara Glass inserts in gas are the ideal solution for those who want warmth, efficiency and contemporary good looks of an open fire with the controllability of gas. Due to their compact size, both models fit beautifully into a standard fireplace with the Cara Glass available in 4 frame, so it can be hung like a piece of art on the wall. Available in cast iron and steel and glass.

FEATURES

- › Output controllable 2kW to 5.5kW
- › Steel frame and glass door - Cara Glass
- › Cast Iron in black gloss enamel - Cara Insert
- › Fits in to a standard 16" or 18" fireplace
- › Remote control with smartphone app option
- › Balanced flue top outlet only
- › Remote control functionality: 1) 7 day timer, 2) Child lock, 3) Countdown timer, 4) Built in room stat
- › Available in 3 and 4 sided frames - Cara Glass only
- › High efficiency up to 83%
- › Eco Flame mode for reduced running costs
- › Ceramic log fuel bed

DIMENSIONS

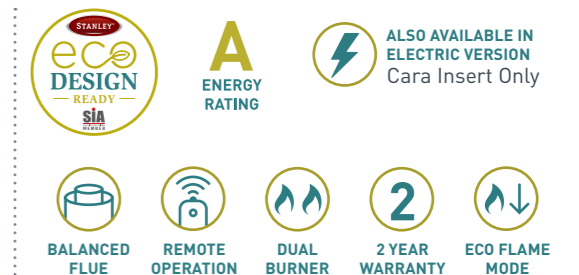


BENEFITS

- › No need for a chimney. All you need is an external wall
- › Creates a stunning focal point in any room
- › Warm your home in the flick of a switch
- › Dual burner technology for variable flame picture, means you can increase flame picture without increased consumption
- › Eco Flame mode - reduces costs by 50% making it more efficient to run
- › Can be connected to conventional system using Stanley chimney system
- › 2 year parts and labour warranty

OPTIONAL EXTRAS

- › Wi-Fi modem for smartphone operation
- › Mains adapter



FULLY REMOTE CONTROLLED

See page 96 for detailed dimension drawings. Please consult product technical manuals for dimensions and guidelines before installation.

Feel the warmth



“ The Cara Insert suits the traditional style of our living room and fireplace. Open fires are wasteful of energy and impact negatively on the energy rating. As our home was a new build we were advised that open fires were a no-no. ”



“ It was recommended by a friend, but to be honest I really wanted a stove. It's a no-brainer and Stanley are one of the best makes on the market. ”



“ We estimate that we are burning about two thirds less fuel than we did last year when we had the open fire and it means spending time in this room with the Aoife lighting is a really cosy place to be. ”



“ It brings real warmth and energy to the room. It's difficult to heat this room as it has a double height ceiling, but it now feels cosy. We would definitely recommend it. ”



“ We had a built in double oven and hob previously and if we used the grill there wasn't as much heat in the main oven. With the Supreme we have a separate grill, slow cooking oven, two large main ovens and 5 rings on top. We can be cooking 5 things at any one time. We love it! ”



“ When I went to see it in the shop they had one fitted in a fireplace and that was it, my mind was made up; if I couldn't have the Cara Insert I didn't want anything else! ”



“ You know you are getting a good product with a Stanley. It was the right size, we didn't want anything too big and we just loved the look of it. All my family have Stanley's in their home – my daughter Lucy loves to crawl around it! ”



“ The heat and the flame picture is a winner. Looks even more impressive than an open fire. Love the subtle handle. The kids don't know where it is and don't reach for it so that's a plus. Even when friends come over the first question is 'How do you open it?' ”



“ Being old fashioned about my cooking, I couldn't see myself cooking on an electric hob. I wanted something with the look and feel of a traditional cooker but with all the modern elements. ”



“ When I saw the Stanley brand on the fire I knew it would be a reliable, quality product. It's exactly what I wanted – an electric built in fire. I really loved the look of it. ”

Combining unbeatable energy efficiency, sustainability and stunning design, the Stanley Pellet stove range is the ideal heating range for your home.



Pellet Stoves

SOLIS K100 shown

NEW RANGE



SOLIS K100 in White shown

SOLIS K100 Pellet Stove

The Stanley SOLIS K100 Pellet stove is the ideal heating solution for your home. It comes in 4 finishes: Grey, White, Black and Claret, provides between 3kW and 8kW heat output to the room and is fully remote controlled. Can also withstand high temperatures due to the high quality of steel.

FEATURES

- > Maximum Heat Output 8kW to the room
- > High Efficiency up to 96% - almost 4 times more efficient than an open fire
- > Ideal for open plan living
- > Self-cleaning burner means reduced waste in your ash pan
- > 15Kg internal hopper runs for up to 14 hours from a fill of pellets
- > Fully adjustable in terms of time and temperature including sleep timer
- > Programmable controller with up to 6 on/off times per day
- > Flue outlet size 80mm
- > Rear flue outlet only

DIMENSIONS



BENEFITS

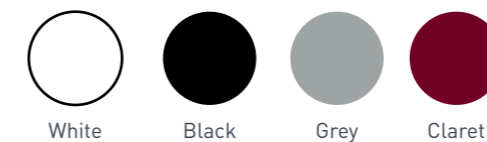
- > No need for a chimney. All you need is an external wall
- > Creates a stunning focal point in any room
- > Warm your home in the flick of a switch
- > Tested and approved to European standard - EN 14785
- > 2 years parts and labour warranty



OPTIONAL EXTRAS

- > Wi-Fi modem for smartphone operation

COLOUR OPTIONS



FULLY REMOTE CONTROLLED

See page 97 for detailed dimension drawings. Please consult product technical manuals for dimensions and guidelines before installation.

¹ Waterford Stanley will send a commissioning agent after installation to ensure your pellet stove has been installed correctly.

This is part of the purchase price and validates warranty.



NEW RANGE

SOLIS K300 in Oak shown

SOLIS K300 Pellet Stove

The Stanley SOLIS K300 pellet stove is truly unique with its oak panel features, full glass door and is a stunning piece of furniture in any room. Available in 8kW the K300 is notable by its ease of use by touch screen or remote control. Also available in Claret and White.

FEATURES

- › Maximum Heat Output 8kW to the room
- › High Efficiency up to 96% - almost 4 times more efficient than an open fire
- › Ideal for open plan living
- › Self-cleaning burner means reduced waste in your ash pan
- › 18Kg internal hopper runs for up to 17 hours from a fill of pellets
- › Fully adjustable in terms of time and temperature including sleep timer
- › Programmable controller with up to 6 on/off times per day
- › Flue outlet size 80mm
- › Rear flue outlet only
- › Ceramic Igniter
- › Glass Door
- › Air Flow meter

DIMENSIONS



BENEFITS

- › No need for a chimney. All you need is an external wall
- › Creates a stunning focal point in any room
- › Warm your home in the flick of a switch
- › Tested and approved to European standard - EN 14785
- › 2 years parts and labour warranty



INCLUDES COMMISSIONING¹

OPTIONAL EXTRAS

- › Wi-Fi modem for smartphone operation

COLOUR OPTIONS



White

Claret

Oak



FULLY REMOTE CONTROLLED

See page 97 for detailed dimension drawings. Please consult product technical manuals for dimensions and guidelines before installation.

¹ Waterford Stanley will send a commissioning agent after installation to ensure your pellet stove has been installed correctly.

This is part of the purchase price and validates warranty.

NEW RANGE



SOLIS K1700+ in White shown

SOLIS K1700+ | SOLIS K2300+ Pellet Boiler Stoves

Our SOLIS central heating pellet stove offers increased comfort levels, reduced maintenance and cleaning with maximum efficiency performance of 94%. The SOLIS K1700+ and SOLIS K2300+ heat up to 12 and 16 radiators respectively.

FEATURES

- > Available in 2 Outputs to the boiler: 14kW and 18.8kW
- > 2 Models - 12 and 16 standard radiators
- > High Efficiency up to 94% - almost 4 times more efficient than an open fire
- > Self-cleaning burner means reduced waste in your ash pan
- > Two internal hopper sizes: 30kW runs for 27 hours and 45kg runs for 41 hours from a fill of pellets
- > Fully adjustable in terms of time and temperature including sleep timer
- > Programmable controller with up to 6 on/off times per day
- > Flue outlet size: 80mm
- > Rear flue outlet only
- > Approved to EN 14785 standard
- > External air compatible

DIMENSIONS



SOLIS K1700+ PELLET STOVE

SOLIS K2300+ PELLET STOVE

BENEFITS

- > No need for a chimney. All you need is an external wall
- > Warm your home in the flick of a switch
- > Tested and approved to European standard - EN 14785
- > 2 years parts and labour warranty

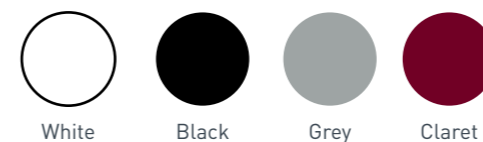


INCLUDES COMMISSIONING¹

OPTIONAL EXTRAS

- > Wi-Fi modem for smartphone operation

COLOUR OPTIONS



White Black Grey Claret



FULLY REMOTE CONTROLLED



See page 97 for detailed dimension drawings. Please consult product technical manuals for dimensions and guidelines before installation.

¹ Waterford Stanley will send a commissioning agent after installation to ensure your pellet stove has been installed correctly. This is part of the purchase price and validates warranty.

Contemporary design for modern living, the SOLIS range is all that is good about open fires but with the efficiency and class of a modern stove.



SOLIS Stoves

SOLIS Double Sided shown

SOLIS I500 Cassette Stove

The SOLIS I500 Cassette stove looks good in any position whether standing alone on a wall or replacing your open fire. Three times more efficient than an open fire, the SOLIS I500 takes up minimal hearth space and is the perfect solution where space is a premium.

FEATURES

- › Model: Insert Room Heating
- › Dedicated wood burning stove
- › Nominal heat output 5kW
- › Fits into standard fireplace
- › Top flue outlet (5"/127mm flue)
- › Primary air control for under grate air
- › Combined Secondary window wash & Tertiary control
- › Maximum log length: 260mm
- › 3 and 4 frame models available
- › Large viewing glass
- › Chrome detailing
- › Weight: 75kg

DIMENSIONS



BENEFITS

- › External Air supply as standard - (100mm pipe not supplied)
- › Tested & approved to European standard - EN 13229
- › 5 year warranty
- › Defra approved

OPTIONAL EXTRAS

- › Multifuel kit available as optional extra
- › External air supply kit - directs air from the outside into the stove to aid efficient combustion



DISCREET HANDLE FEATURE FOR SAFETY



SOLIS I500 4 sided frame shown

SOLIS I900 Cassette Stove

The SOLIS I900 Cassette stove is the ultimate heating solution when you have a little more space. With clever door opening features, breath-taking flame pictures not to mention strong smooth lines, the SOLIS I900 will create a stunning focal point in any room. Be the envy of your neighbours.

FEATURES

- › Model: Insert Room Heating
- › Dedicated wood burning stove
- › Nominal heat output 9kW
- › Primary air control for under grate air
- › Combined Secondary window wash & Tertiary control
- › Maximum log length: 440mm
- › 3 and 4 frame models available
- › Top flue outlet (6"/150mm flue)
- › Large viewing glass
- › Chrome detailing
- › Weight: 105kg

DIMENSIONS



BENEFITS

- › External Air supply as standard - (100mm pipe not supplied)
- › Tested & approved to European standard - EN 13229
- › 5 year warranty
- › Defra approved

OPTIONAL EXTRAS

- › Multifuel kit available as optional extra



DISCREET HANDLE FEATURE FOR SAFETY



SOLIS I900 4 sided frame shown

SOLIS Single and Double Sided Insert Stove

The SOLIS single and double sided glass framed stoves are a beautiful thing to behold and add luxury to any room. All models feature fan assisted convection heating so you can heat other rooms in your home.

FEATURES

- › Model: Insert Room Heating
- › Available in 3 outputs: I80 SS - Max 12kW, I80 DS - Max 14kW and I100 DS - Max 16kW
- › Wood burning stove
- › Graphite steel build with high end glass frame
- › External Air intake as standard - (80mm pipe not supplied)
- › Fan assisted convection heat
- › Combined Secondary window wash & Tertiary control
- › Capability to channel air into other rooms
- › Efficiency - 79%
- › Flue size - 150mm

DIMENSIONS INCLUDING FRAME



BENEFITS

- › External Air supply as standard
- › Ventilation to channel air into other rooms - The SOLIS double sided comes with vents on top which can channel air into other rooms heating more of your home.
- › Fan assisted convection heat allows you to increase heat output to the room when required.
- › Tested & approved to European standard - EN 13229
- › 5 year warranty



Double Sided View

See page 98 for detailed dimension drawings. Please consult product technical manuals for dimensions and guidelines before installation.



SOLIS I100 DS shown

SOLIS F500 Edge, F650 Style, F900 Ridge

The family of SOLIS stoves, F500 Edge, F650 Style and F900 Ridge have been crafted to bring through the very best designs for today's market. A beautiful fusion of contemporary and traditional, the stoves feature eye catching design and functionality that's a joy to use. The cleverly designed air control allows you to switch between solid fuel and wood as well as controlling the air intake. The end result is exquisite controllability and a magnificent flame picture.

FEATURES

- › Model: Freestanding Room Heating
- › Available in 3 Max Outputs - 5kW, 6.5kW and 9kW
- › Multifuel and Wood burning stove
- › Graphite steel frame with cast iron door
- › External air intake as standard
- › Top flue and rear outlet
- › Efficiency - F500 81.1%, F650 84.8%, F900 77.5%
- › Flue size - F500, F650, F900 - 150mm
- › Primary, secondary & tertiary air management

DIMENSIONS

WB500 AVAILABLE IN WOODBURNING



BENEFITS

- › Tested & approved to European standard - EN 13240
- › Defra approval pending
- › 5 year warranty

OPTIONAL EXTRAS

- › External air supply kit - directs air from the outside into the stove to aid efficient combustion



F500 WOOD BURNING MODEL
ALSO AVAILABLE F500WB
F650 AND F900 MODELS ALSO
AVAILABLE IN GAS



SOLIS F650 Style shown

SOLIS F800 Grande Stove

Wood burning never looked so good. With its unique handle feature and compact Scandinavian design, the SOLIS F800 Grande will look good in any home. With 83% efficiency and a maximum heat output of 8kW, the F800 Grande will comfortably keep your room cosy and warm.

FEATURES

- › Model: Freestanding Room Heating
- › Multifuel and Wood burning stove
- › 8kW Max output to the room
- › Graphite steel frame with large steel handle
- › Log store with door
- › External air intake as standard
- › Top flue and rear outlet
- › Efficiency - 83%
- › Flue size - 150mm

DIMENSIONS



BENEFITS

- › Log store incorporated into design of stove
- › Large handle features offers unique opening
- › Smaller dimensions allows it to fit better into rooms
- › Tested & approved to European standard - EN 13240
- › 5 year warranty

OPTIONAL EXTRAS

- › Multifuel kit available
- › External air supply kit - directs air from the outside into the stove to aid efficient combustion



SOLIS F1100 Panoramic

A truly beautiful stove, the SOLIS F1100 Panoramic wood burning stove adds inspiration to any space it fills. With high efficiency at 81% and a whopping 11kW max output, it is ideal for medium and large living areas. The F1100 features windows on either side as well as the ample front glass to ensure you can see the flame effect from virtually anywhere in the room.

FEATURES

- › Model: Freestanding Room Heating
- › 11kW Max output to the room
- › Wood burning stove
- › Graphite steel frame
- › Panoramic curved glass door & side panels
- › External air intake as standard - (100mm pipe not supplied)
- › Top and rear flue outlet
- › Efficiency - 81%
- › Flue size - 150mm

DIMENSIONS



BENEFITS

- › External Air supply as standard - (100mm pipe not supplied)
- › Tested & approved to European standard - EN 13240
- › 5 year warranty



A living, breathing
fire in a stylish,
efficient, economic
Stanley stove



Classic Stoves

Lismore Enamel shown



Reginald Enamel Black shown

Reginald

Inspired by the famous Reginald's Tower in Waterford that has protected the city for almost 1,000 years, the Reginald is designed and developed in Waterford to the highest standards of enduring craftsmanship. Behind the sculpted curves, chrome detailing and elegant styling lies a next generation stove designed for a new era in home heating efficiency.

FEATURES

- > Model: Freestanding Central Heating
- > Sculpted curve design
- > Large viewing glass
- > Secondary air provides cleaner combustion
- > Window wash air to maintain a clean glass
- > Raised grate for optimum fuel burn
- > Large ashpan
- > Top and rear flue outlet

DIMENSIONS



BENEFITS

- > Tested & approved to European standard - EN 13229
- > Ecodesign approved 2022
- > 5 year warranty

OPTIONAL EXTRAS

- > External air supply kit - Directs air from the outside into the stove to aid efficient combustion.

COLOUR OPTIONS



ROOM AND CENTRAL HEATING

Maximum heat output to room	5.5kW
Maximum boiler output	14kW
Maximum radiators	Up to 12

PERFECT FOR

- > Larger homes
- > A complete home heating solution
- > Contemporary design aesthetic
- > Burning all approved solid fuels



See page 100 for detailed dimension drawings. Please consult product technical manuals for dimensions and guidelines before installation.



Lismore Enamel Cream shown

Lismore

Sister to the Reginald stove, the Stanley Lismore is all that is good about the Reginald only 20% smaller in size and output. With its contemporary good looks, high performance and energy management, the Lismore is ideal for today's stylish homes.

FEATURES

- > Model: Freestanding Central Heating and Room Heating
- > External air supply as standard
- > Dual position grates for wood and coal
- > Sculpted curve design
- > Large viewing glass
- > Secondary air provides cleaner combustion
- > Window wash air to maintain a clean glass
- > Raised grate for optimum fuel burn
- > Large ashpan
- > Top and rear flue outlet

DIMENSIONS



BENEFITS

- > Tested & approved to European standard - EN 13229
- > 5 year warranty
- > Dual grates to burn wood and coal
- > External air supply as standard

ROOM HEAT ONLY

Maximum heat output to room	12kW
-----------------------------	------

PERFECT FOR

- > Heating large living spaces or open plan rooms
- > Contemporary design aesthetic
- > Burning all approved solid fuels



ROOM AND CENTRAL HEATING

Maximum heat output to room	4.7kW
Maximum boiler output	12.8kW
Maximum radiators	10

PERFECT FOR

- > Heating your home and hot water efficiently
- > Ideal choice for larger homes
- > Burning all approved solid fuels



COLOUR OPTIONS - ROOM HEATING



COLOUR OPTIONS - ROOM AND CENTRAL HEATING



See page 100 for detailed dimension drawings. Please consult product technical manuals for dimensions and guidelines before installation.



Ardmore Eco Enamel Black shown

Ardmore Eco

The third and smallest in the next generation range of stoves which include the Reginald and Lismore, the Ardmore Eco provides a maximum of 9kW of heat output to the room, has a large viewing window and high chromium grates.

FEATURES

- › Model: Freestanding Room Heating
- › Integrated Firedoor and Ashdoor
- › Sculpted curve design
- › Large viewing glass
- › Suitable for burning all approved solid fuels
- › Separate air inlet for under grate combustion air supply
- › Raised grate for optimum fuel burn
- › Large ashpan
- › Top and rear flue outlet

DIMENSIONS



BENEFITS

- › Ecodesign approved 2022
- › 5 year warranty

OPTIONAL EXTRAS

- › External air supply kit - Directs air from the outside into the stove to aid efficient combustion

COLOUR OPTIONS



ROOM HEAT ONLY

Maximum heat output to room	9kW
-----------------------------	-----

PERFECT FOR

- › Open plan living
- › Burning all approved solid fuels
- › Contemporary design aesthetic



NET EFFICIENCY

See page 100 for detailed dimension drawings. Please consult product technical manuals for dimensions and guidelines before installation.



Erin Matt Black shown

Erin

As one of our largest and most popular stoves, the Erin not only heats up to 9 radiators but also provides a plentiful source of hot water for your home. The Erin features a thermostatic (water temperature) control as well as clean burn technology with primary and secondary air intakes for optimum control.

FEATURES

- > Model: Freestanding Central Heating
- > Removable ash pan
- > Automatic thermostat control
- > Easy action riddling
- > Overnight burning capacity
- > Air-wash facility to clean stove window
- > Top and rear flue exit

DIMENSIONS



BENEFITS

- > Tested & approved to European standard - EN 13229
- > 5 year warranty

OPTIONAL EXTRAS

- > External air supply kit - Directs air from the outside into the stove to aid efficient combustion.

COLOUR OPTIONS



Matt
Black

ROOM AND CENTRAL HEATING

Maximum heat output to room	6kW
Maximum boiler output	13.2kW
Maximum radiators	9

PERFECT FOR

- > Heating large Irish homes
- > A plentiful source of hot water for your home



ENERGY
RATING



NET EFFICIENCY

See page 100 for detailed dimension drawings. Please consult product technical manuals for dimensions and guidelines before installation.



Tara Matt Black shown

Tara

The Tara is a medium-sized stove in our classics collection which comes in a choice of colours to suit a wide variety of interiors. With simple, easy-to-use controls, the Tara stove combines durability and efficiency and has all the flexibility to suit your lifestyle.

FEATURES

- › Model: Freestanding Central Heating and Room Heating
- › Overnight burning capability
- › Easily removable boiler cleaning door (Central Heating Model)
- › Removable ash-pan, fire fence and front ashtray
- › Controllable heat output
- › Top and rear flue exit
- › Suitable for burning wood, coal, anthracite and peat briquettes

DIMENSIONS



BENEFITS

- › Tested & approved to European standard - EN 13229
- › 5 year warranty

OPTIONAL EXTRAS

- › External air supply kit - Directs air from the outside into the stove to aid efficient combustion.
- › Optional Boiler kit available to heat hot water.

ROOM HEAT ONLY

Maximum heat output to room	8kW
-----------------------------	-----

PERFECT FOR

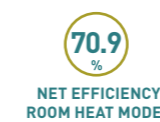
- › Heating medium sized living spaces or rooms
- › Burning all approved solid fuels
- › Optional boiler kit available to heat hot water

ROOM AND CENTRAL HEATING

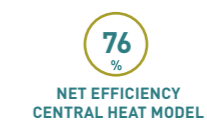
Maximum heat output to room	2kW
Maximum boiler output	8kW
Maximum radiators	6

PERFECT FOR

- › Smaller homes
- › Controllable burn rate and output to radiators
- › Burning all approved solid fuels



COLOUR OPTIONS



COLOUR OPTIONS



See page 100 for detailed dimension drawings. Please consult product technical manuals for dimensions and guidelines before installation.



Aoife Matt Black shown

Aoife

The Aoife's neat size suits urban living and is powerful enough to heat open-plan rooms. The clean design lines and large viewing glass offer a stunning contemporary take on a traditional stove design. The Aoife provides a maximum of 7.3kW of heat to the room and can be flued into a standard fireplace opening.

FEATURES

- > Model: Freestanding Room Heating
- > Lower horizontal flue height which fits in existing fireplaces
- > Manual controlled primary air
- > Separate secondary window wash air control
- > Large viewing glass
- > High chromium grates
- > Detachable door handle

DIMENSIONS



BENEFITS

- > Tested & approved to European standard - EN 13229
- > 5 year warranty
- > Fits into most standard fireplaces

ROOM HEAT ONLY

Maximum heat output to room **7.3kW**

PERFECT FOR

- > Open fireplace conversion
- > Open plan living
- > Burning all approved solid fuels

COLOUR OPTIONS



Matt Black



See page 100 for detailed dimension drawings. Please consult product technical manuals for dimensions and guidelines before installation.



Oscar Matt Black shown

Oscar

Featuring similar classic styling to the Oisin, the Oscar solid fuel stove is perfect if you have a little more space available. Offering increased heat output of up to 7kW, the compact design fits easily into your home and gives optimum heat to medium sized rooms. Lower rear flue for standard fireplace opening.

FEATURES

- › Model: Freestanding Room Heating
- › Removable ash-pan
- › Controllable heat output
- › Top & rear flue exit
- › Clean burn technology to maximise efficiency and protect environment from harmful emissions
- › Cast Iron durability

DIMENSIONS



BENEFITS

- › Tested & approved to European standard - EN 13240
- › 5 year warranty on Stanley solid fuel stoves
- › Fits into standard fireplaces

ROOM HEAT ONLY

Maximum heat output to room

7kW

PERFECT FOR

- › Smaller living spaces or rooms
- › Open plan living
- › Burning all approved solid fuels

COLOUR OPTIONS



Matt
Black

A
ENERGY
RATING

72.8
%
NET EFFICIENCY
ROOM HEAT MODEL

See page 101 for detailed dimension drawings. Please consult product technical manuals for dimensions and guidelines before installation.



Oisin Enamel Cream shown

Oisin

The Oisin solid fuel stove is the smallest stove in our classic collection and offers high heat output and great efficiency. Its compact design ensures that it will fit easily into your home and is ideal for small rooms and apartment living. Perfect for those who want efficiency and convenience in a compact space.

FEATURES

- > Model: Freestanding Room Heating
- > Removable ash-pan
- > Fits into standard fireplace
- > High chromium grates
- > Controllable heat output
- > High heat efficiency
- > Top and rear flue exit

DIMENSIONS



BENEFITS

- > Tested & approved to European standard - EN 13229
- > 5 year warranty
- > Fits into most standard fireplaces
- > Comes in the widest range of colours: French Grey, Cream, Black Enamel and Matt Black

OPTIONAL EXTRAS

- > External air supply kit - Directs air from the outside into the stove to aid efficient combustion.
- > Optional Boiler kit available to heat hot water.

ROOM HEAT ONLY

Maximum heat output to room **6.4kW**

PERFECT FOR

- > Smaller living spaces or rooms
- > All interiors styles with our widest range of colours
- > Burning all approved solid fuels

COLOUR OPTIONS



A
ENERGY
RATING

78.8
%
NET EFFICIENCY
ROOM HEAT MODEL

See page 101 for detailed dimension drawings. Please consult product technical manuals for dimensions and guidelines before installation.



Cara Insert Matt Black shown

Cara

The Cara Insert Stove is the ideal home heating solution for those who want the warmth and efficiency of a cast iron stove with all the visual benefits of an open fire. The Cara Insert aims to retain the appearance of an open fire while bringing all the benefits of a stove and is 3 times more efficient than an open fire. It is the perfect solution for where space is at a premium.

FEATURES

- › Model: Insert Room Heating
- › Fits into a standard fireplace
- › Easily connected to a standard 125mm diameter chimney
- › Large viewing glass
- › Secondary air provides cleaner combustion
- › Window wash air to maintain a clean glass
- › Raised grate for optimum fuel burn
- › Large Ashpan
- › High quality, cast iron build
- › Modern, yet classic design

DIMENSIONS



BENEFITS

- › Tested & approved to European standard - EN 13229
- › 5 year warranty
- › Fits into most standard fireplaces
- › Ecodesign 2022 approved

OPTIONAL EXTRAS

- › External air supply kit - Directs air from the outside into the stove to aid efficient combustion.
- › Cast iron filler piece available in matt black to fit most curved fireplaces

ROOM HEAT ONLY

Maximum heat output to room **6.5kW**

PERFECT FOR

- › Heating small to medium sized rooms
- › Replacing an inefficient open fire but retaining all the visual benefits
- › Burning all approved solid fuels

COLOUR OPTIONS



See page 101 for detailed dimension drawings. Please consult product technical manuals for dimensions and guidelines before installation. The minimum clearance to combustibles required is 550mm to the top, 350mm to the sides, 550mm directly to the front and 350mm to any combustible flooring. If the mantelpiece protrudes further than 100mm from the fireplace, then it will be necessary to have further clearance to the top of the stove. The distance the mantle protrudes past the 100mm should be added to the clearance. For example, if the mantle protrudes 200mm, the clearance to the mantle should be 650mm.



Cara Glass

New to the range, our contemporary Cara Glass is ideal solution for those who want warmth, efficiency and contemporary good looks. The Cara Glass Insert is three times more efficient than an open fire and takes up minimal hearth space meaning less intrusion in your room. The Cara Glass comes in 3 and 4 frame meaning it can fit into standard fireplace or can be placed on a wall.

FEATURES

- › Model: Insert Room Heating
- › Fits into a standard fireplace
- › Top flue outlet only
- › Available in 3 and 4 sided frame
- › Easily connected to a standard 125mm diameter chimney
- › Large viewing glass
- › Secondary air provides cleaner combustion
- › Window wash air to maintain a clean glass
- › Raised grate for optimum fuel burn
- › Large ashpan

DIMENSIONS



BENEFITS

- › Tested & approved to European standard - EN 13229
- › 5 year warranty
- › Fits into most standard fireplaces
- › Available in 3 frame and 4 frame options
- › Ecodesign 2022 approved

OPTIONAL EXTRAS

- › External air supply kit - Directs air from the outside into the stove to aid efficient combustion.

ROOM HEAT ONLY

Maximum heat output to room **6.45kW**

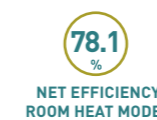
PERFECT FOR

- › Small to medium sized living spaces or rooms
- › Rooms where space is at a premium
- › Burning all approved solid fuels

COLOUR OPTIONS



Enamel
Black



See page 101 for detailed dimension drawings. Please consult product technical manuals for dimensions and guidelines before installation. The minimum clearance to combustibles required is 550mm to the top, 350mm to the sides, 550mm directly to the front and 350mm to any combustible flooring. If the mantelpiece protrudes further than 100mm from the fireplace, then it will be necessary to have further clearance to the top of the stove. The distance the mantle protrudes past the 100mm should be added to the clearance. For example, if the mantle protrudes 200mm, the clearance to the mantle should be 650mm.



Cara+ Enamel Black shown

Cara+

Replace your inefficient back boiler and open fire with a powerful home heating solution. Using the Cara+ to replace a back boiler will improve your heating efficiency considerably. The Cara+ heats up to 10 radiators and provides a comfortable 3.6kW of heat to the room itself.

FEATURES

- › Model: Insert Central Heating
- › Fits in 16" or 18" opening
- › Reduces room air loss, increasing BER rating
- › Top outlet only 6"/153mm flue collar
- › Separate controls for Primary and Secondary air
- › Flue connector kit supplied
- › Large fuelling door and viewing glass
- › Attached door handle
- › High chromium grates

DIMENSIONS



BENEFITS

- › Tested & approved to European standard - EN 13229
- › 5 year warranty
- › Fits into most standard fireplaces

OPTIONAL EXTRAS

- › External air supply kit - Directs air from the outside into the stove to aid efficient combustion.

ROOM AND CENTRAL HEATING

Maximum heat output to room	3.6kW
Maximum boiler output	13.2kW
Maximum radiators	10

COLOUR OPTIONS



PERFECT FOR

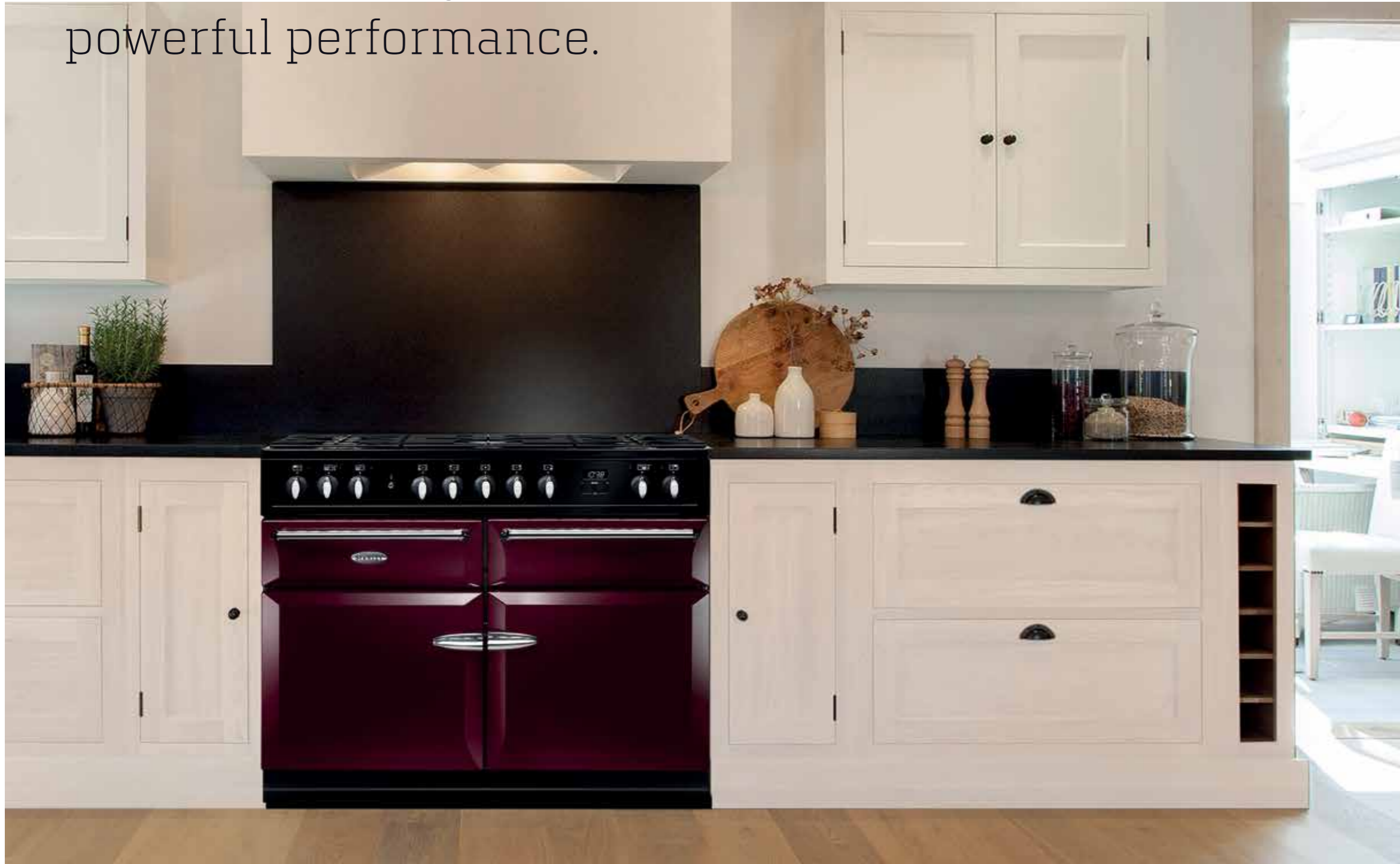
- › Open fireplace conversion
- › Total home heating
- › Burning all approved solid fuels

A
ENERGY
RATING

73.6
%
NET EFFICIENCY
ROOM HEAT MODEL

See page 101 for detailed dimension drawings. Please consult product technical manuals for dimensions and guidelines before installation. Stanley stoves are designed to last. Our stove experts are on hand at your local Stanley Retailer to help you choose the right stove for you. Print colours cannot reproduce the exact enamel or matt colours, so please visit your Stanley Retailer to view before purchase. Visible flame will vary by fuel type, draught conditions and operational settings. 150mm/6" flue outlet required. Images are for illustration purposes only, see page 81 for detailed dimension drawings, please consult product technical manuals for dimensions and guidelines before installation. The minimum clearance to combustibles required is 200mm to the top, 150mm to the sides, 550mm directly to the front and 350mm to any combustible flooring.

For generations, Stanley range cookers have been renowned for their durability, superb efficiency and powerful performance.



Supreme Deluxe 110cm Cranberry Duel Fuel shown

Range Cookers

Brandon Oil Condensing

The Brandon Condensing range cooker is an oil fired central heating range cooker complete with condensing technology that offers an improved heating efficiency of 92%. Essentially, it's a cooker that's also a boiler - so not only does it cook your food; it warms your home and heats your water too. Superior controllability with excellent eco-credentials makes this Brandon cooker truly exceptional.

Handcrafted from cast iron with a beautifully enamelled exterior, the Brandon fits easily into any style of kitchen, transforming it into a warm and welcoming space.

FEATURES

- > Available in 80,000 BTU (23.4kW) boiler output
- > Heats up to 16 standard radiators
- > Condensing technology offers improved heating efficiencies of 92%
- > Two flueing options available:
 - Balanced flue which must be installed against an external wall
 - Conventional left hand flue which can flued into chimney opening
- > Integral cooker programmer
- > Must be connected to independent external controls for central heating and hot water
- > Fits a standard 1 metre opening

DIMENSIONS



BENEFITS

- > Condensing technology makes it the highly efficient at 92%
- > Two flue options, balanced and conventional offer up more locations for it to be installed
- > At 1000mm wide it fits into standard kitchen alcoves and at 910mm high it is level with most kitchen worktops
- > Will work with underfloor heating

COLOUR OPTIONS



Cream

Black



Brandon Oil

The Brandon is the ultimate range cooker for style and precision control. A beautifully designed statement at the heart of your kitchen combined with the majestic presence of Stanley mean the Brandon strikes the perfect chord between past and present.

It heats up to 20 standard radiators and is also compatible with underfloor and zone control heating. Central heating, hot water and cooking are controlled individually for even more efficiency.

FEATURES

- › Digital display and electronic controls including digital control and display of oven temperature
- › Automatic seven day programmer and countdown timer
- › Separate control of hot water¹, central heating¹ and oven preheat to 150°C
- › Chrome hotplate covers as standard
- › Simmer plate cover as standard
- › Large capacity main oven and warming oven
- › Available in 3 central heating models: 12, 16 and 20 radiators

DIMENSIONS



BENEFITS

- › Will work with underfloor heating
- › Model to suit all your heat needs: 12, 16 and 20 radiators
- › Heating, Hot water and cooking all controlled separately

COLOUR OPTIONS



Cream

Black

¹ When connected to a motorised valve

See page 102 for detailed dimension drawings. Please consult product technical manuals for dimensions and guidelines before installation.



Brandon Oil 100k in Black shown

Donard Multifuel

The Stanley Donard combines classic range cooker styling with exceptional performance. For generations Stanley's solid fuel range cookers have brought warmth to homes and hot food to families.

The Donard will burn smokeless fuel, dry wood, coal, anthracite and seasoned peat briquettes.

FEATURES

- > Twin hotplate covers
- > Large capacity main oven
- > Second warming oven
- > Efficiency: 68% efficient when burning wood only
- > Heats up to 12 radiators
- > Front firebox loading
- > Fuel box suitable for 380mm logs
- > Weight 420kg

DIMENSIONS



BENEFITS

- > Suitable for burning wood, coal, anthracite and peat briquettes
- > Large capacity main oven for cooking
- > Simmer plate for keeping your pot of coffee or tea warm

OPTIONAL EXTRAS

- > Plate rack and splashback
- > Chrome hot plate covers

COLOUR OPTIONS



Cream

Black



Donard Solid Fuel in black shown

Dartry Multifuel

The Dartry cooker is a beautiful take on the traditional cast iron cooker from Stanley. With large cast iron hotplate and sizeable oven, it's a joy to cook on.

The Dartry has so much more to offer than it cooking and style. The Dartry will heat up to 10 radiators and provide lashings of hot water for your home.

FEATURES

- › 4.5kW max output to the room
- › 15.7kW max out to the water
- › Heats up to 10 standard radiators
- › Cast Iron front with steel frame
- › Cast iron top with ceramic glass cover
- › Large Main Oven
- › 76.5% efficient
- › 150mm Flue
- › Height adjustable grate
- › Rear Flue Outlet
- › Flue located 55mm from center of cooker
- › Weight 218kg

DIMENSIONS



BENEFITS

- › Suitable for burning wood, coal, anthracite and peat briquettes
- › Large capacity main oven for cooking
- › Adjustable grate heights to reduce heat output from boiler as required



Cast iron top with ceramic glass lid

See page 102 for detailed dimension drawings. Please consult product technical manuals for dimensions and guidelines before installation.



Dartry Solid Fuel in black shown

Supreme Deluxe 90cm and 110cm

The Stanley Supreme Deluxe displays timeless design quality that enables it to fit in to any style of kitchen. Its classically simple, understated appeal will match any taste, from the contemporary to the traditional and is available in a choice of five colours to suit your kitchen décor.

The Stanley Supreme Deluxe is available in two sizes - 90cm and 110cm - and with a choice of an induction or gas hob. This cooker is the epitome of understated elegance, perfect for anybody who aspires to owning a Stanley but prefers the instant control of a conventional range cooker.

FEATURES

- > 'A' rated for energy efficiency
- > Slow cooking oven Supreme Deluxe 110
- > Two ovens – one fan oven, one multifunction oven – to offer extra flexibility and high volume cooking capability
- > Multifunction oven offers fan oven, conventional oven, fan assisted oven, base heat, fanned grilling, browning, defrost and Rapid Response
- > Separate grill compartment with a glide-out grill system
- > Choice of a five-burner gas hob or a five zone induction hob – for complete cooking flexibility
- > Gas hob is in Natural Gas and can be converted to LPG
- > Bridging zone on Induction hob can link two zones together

DIMENSIONS



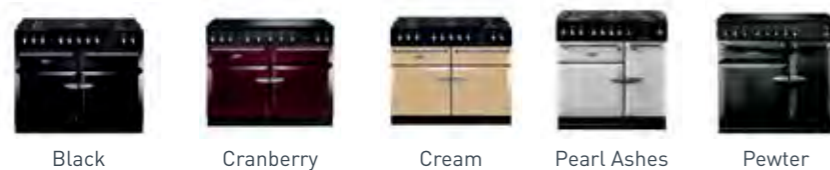
BENEFITS

- > 2 ovens on both models sizes gives you lots of cooking possibilities
- > Slow cooking oven on the 110cm offers you an insight into cast iron cooking
- > Large cooking top with 5 cooking zones for complete cooking flexibility

ACCESSORIES

- > 110cm Black Chimney Hood with Chrome Detailing
- > Separate griddle plate - Induction Model
- > Separate wok ring - Gas Hob model
- > Meat Probe

COLOUR OPTIONS



Black

Cranberry

Cream

Pearl Ashes

Pewter

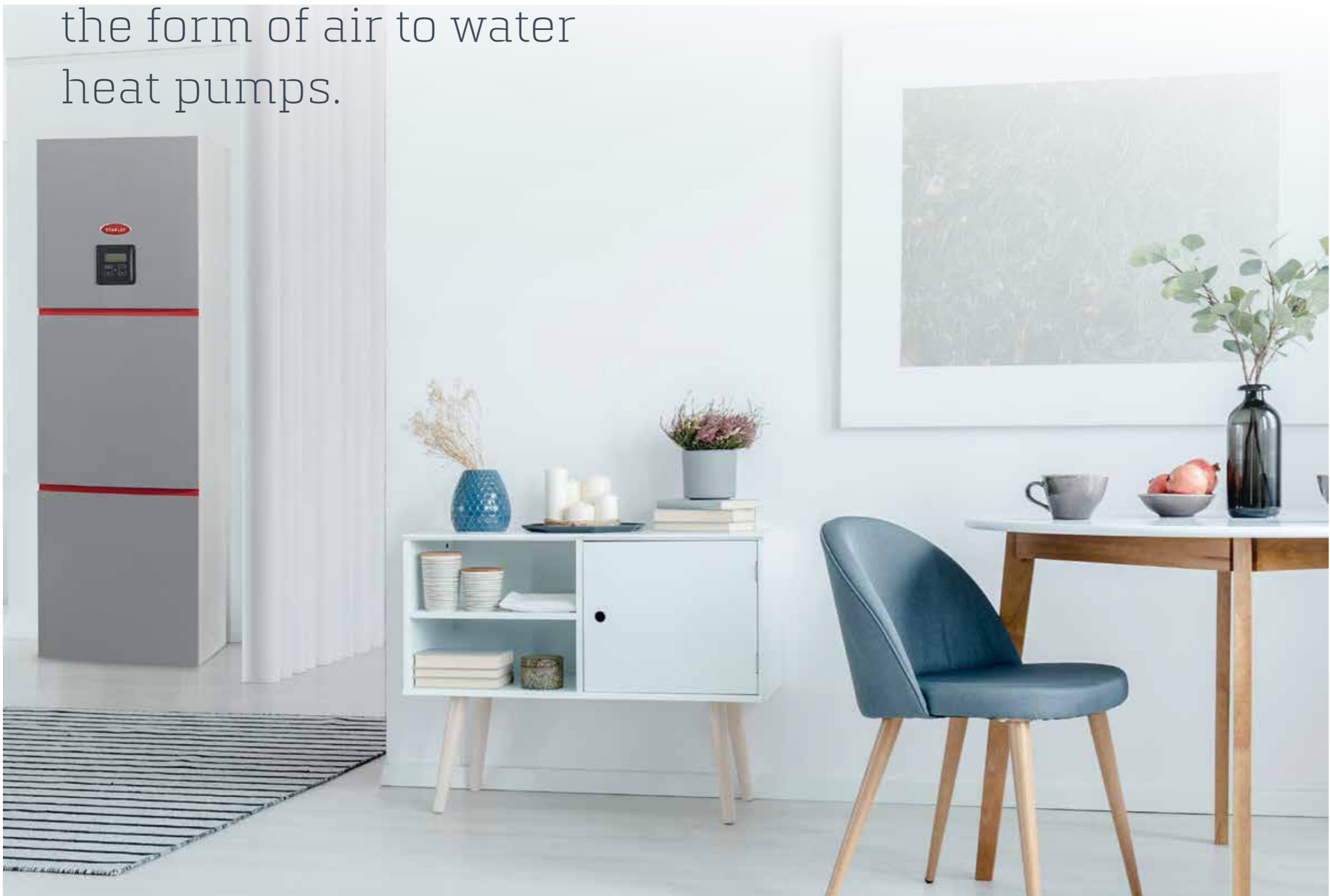


NEW
RANGE

Supreme Deluxe 110cm Induction in Black shown

Air to Water Heat Pumps

With a proven record in heating Irish homes, we are looking to the future and renewable energy in the form of air to water heat pumps.



Why Stanley Heat Pumps?

Warming homes for over 80 years, Stanley believe that everyone should be able to enjoy the cosy benefits of a Stanley. With a proven record in heating Irish homes, we are looking to the future and renewable energy in the form of air to water heat pumps.







Better for you, better for nature

Heat pumps are central heating systems that are an extremely efficient and cost effective method of heating your home. Heat from the air is absorbed at low temperature into a fluid using an external unit. This fluid then passes through a compressor or internal unit where its temperature is increased and transfers its higher temperature heat to the heating and hot water circuits of the house.

Ideal for new builds or when renovating heating systems in existing buildings and their low noise emission make it ideal for family homes.

An air-to-water system distributes heat via your wet central heating system. Heat pumps work much more efficiently at a lower temperature than a standard boiler system. This makes them more suitable for underfloor heating systems or larger radiators, which give out heat at lower temperatures over longer periods of time.

-  **EASY INSTALLATION AND MANAGEMENT**
-  **EMISSION REDUCTION UP TO 60%**
-  **SAVING UP TO 70% HEATING COSTS**
-  **COP UP TO 5.1* *A7/W35**



Be sure with a Stanley:







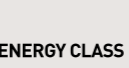



Take comfort in our heritage, superior support and quality.

- > Heating Consultancy Support
- > SEAI Grant Support – A grant for the installation of heat pumps is available from the SEAI. The grant will apply to houses built before 2011 and will be worth €3500. www.seai.ie
- > Back up call centre technical support – Our service team are here to help.
- > Remote engineer diagnostic support where your engineer can access your heat pump remotely and perform diagnostics.
- > 2 years product warranty and online registration.

What do you gain by choosing a Stanley Heat pump?

A maximum balanced energy saving system for your carefree comfort

- > Air to Water – Split System
- > 7kW and 12kW Outputs
- > Silent Mode Function
- > 200 Litre DHW Cylinder - WSL 142
- > 50 Litre Buffer Tank - WSL 141 & 142
- > Range of operation from -20° to 40°C
- > Built In web module to control heat on the go
- > Compact External Housing
- > Twin Zone Capability
- > COP: 5.1
- > Energy Class: A++

-  **EMISSION REDUCTION UP TO 60%**
-  **TESTED AND CERTIFIED**
-  **REMOTE MANAGEMENT**
-  **ENGINEERED IN EUROPE DESIGNED FOR IRELAND**
-  **REMOTE DIAGNOSTIC**
-  **COP UP TO 5.1* *A7/W35**
-  **ENERGY CLASS A++**
-  **TÜVRheinland CERTIFIED**
-  **Download on the App Store**
-  **GET IT ON Google Play**

ARGON Electric

Room Only Models

MODEL	HEAT OUTPUT	FUEL BED	FLAME EFFECT	COLOUR	ENERGY CLASS
Wall Hung 90cm, 110cm, 140cm, 200cm	1kW to 2kW	Log Effect	Red, Yellow, Blue	● Black Glass	A
Built In 110cm, 130cm	1kW to 2kW	Log Effect	Red, Yellow, Blue	● Black Glass	A
Bailey	1kW to 2kW	Coal Effect	Red	● Black Satin	A
Arranmore	1kW to 2kW	Coal Effect	Red	● Chrome	A

ARGON Gas

Room Only Models

MODEL	HEAT OUTPUT	FUEL BED	COLOUR	EFFICIENCY	FLUE
F650 Gas	2kW to 5.5kW	Log Effect	Black	81% Nat Gas/83% LPG	Balanced
F900 Gas	2kW to 5.5kW	Log Effect	Black	81% Nat Gas/83% LPG	Balanced
I5001 Elegance	2.3kW to 7kW	Log Effect	Black	81% Nat Gas/83% LPG	Balanced
I5003 Panoramic	2.3kW to 7kW	Log Effect	Black	81% Nat Gas/83% LPG	Balanced
F500 Oval	1.8kW to 5.5kW *	Log Effect	Graphite	81% Nat Gas/83% LPG	Balanced
F500 Slim	1.8kW to 5.5kW*	Log Effect	Graphite	81% Nat Gas/83% LPG	Balanced
Cara Insert	1.5kW to 5kW	Log Effect	Black Enamel	81% Nat Gas/83% LPG	Balanced
Cara Glass Insert	1.5kW to 5kW	Log Effect	Black Enamel	81% Nat Gas/83% LPG	Balanced

SOLIS Wood Burning & Multifuel

Room Only Models

MODEL	HEAT OUTPUT	FUEL TYPE	COLOUR	EFFICIENCY	ENERGY CLASS
I500	5kW	Wood/Multifuel	Graphite	82%	A+
I900	9kW	Wood/Multifuel	Graphite	80%	A
I80SS	12kW	Wood	Graphite/Black Glass	79%	A
I80DS	14kW	Wood	Graphite/Black Glass	79%	A
I100DS	16kW	Wood	Graphite/Black Glass	79%	A
F500 Edge	5kW	Wood/Multifuel	Graphite	81.1%	A+
F500WB Edge	5kW	Wood	Graphite	81.1%	A+
F650 Style	6.5kW	Wood/Multifuel	Graphite	84.8%	A+
F900 Ridge	9kW	Wood/Multifuel	Graphite	77.5%	A
F800 Grande	8kW	Wood/Multifuel	Graphite	83%	A+
F1100 Panoramic	11kW	Wood	Graphite	81%	A+

Pellet Stoves

Room Only Models

MODEL	HEAT OUTPUT	FUEL TYPE	COLOUR	EFFICIENCY	ENERGY CLASS
SOLIS K100	3kW to 8kW	Pellet	○ ● ● ● ●	96%	A+
SOLIS K300	3kW to 8kW	Pellet	○ ● ● ● ●	96%	A+

Pellet Stoves

Room & Rad Models

MODEL	HEAT OUTPUT	FUEL TYPE	COLOUR	EFFICIENCY	ENERGY CLASS
SOLIS K1700+	14kW	Pellet	○ ● ● ● ●	94 %	A+
SOLIS K2300+	18.8kW	Pellet	○ ● ● ● ●	94%	A+

Classic Range

Room Only Models

MODEL	HEAT OUTPUT	BOILER OUTPUT	MAX. RADIATORS	COLOUR	EFFICIENCY RATING
Oisin	6.4kW	N/A	N/A	● ● ● ● ●	78.8%
Cara	6.5kW	N/A	N/A	● ● ● ● ●	78.4%
Cara Glass	6.5kW	N/A	N/A	● ● ● ● ●	78.1%
Aoife	7.3kW	N/A	N/A	● ● ● ● ●	77.3%
Tara	8kW	N/A	N/A	● ● ● ● ●	70.9%
Oscar	7kW	N/A	N/A	● ● ● ● ●	72.8%
Ardmore	9kW	N/A	N/A	● ● ● ● ●	81%
Lismore	12kW	N/A	N/A	● ● ● ● ●	70.4%

Classic Range

Room & Rad Models

MODEL	HEAT OUTPUT	BOILER OUTPUT	MAX. RADIATORS	COLOUR	EFFICIENCY RATING
Tara	2kW	8kW	6	● ● ● ● ●	76.0%
Erin	6kW	13.2kW	9	● ● ● ● ●	74.7%
Cara+	3.6kW	13.2kW	10	● ● ● ● ●	73.6%
Lismore	5kW	12kW	10	● ● ● ● ●	76.3%
Reginald	5.5kW	14kW	12	● ● ● ● ●	76.1%

Range Cookers

MODEL	BRANDON OIL			BRANDON CONDENSING OIL	DONARD MULTIFUEL	DARTRY MULTIFUEL	SUPREME DELUXE DUAL FUEL	SUPREME DELUXE ALL ELECTRIC
	100	80	60	80	60	50		
Cooking	●	●	●	●	●	●	●	●
Domestic Hot Water (DHW)	●	●	●	●	●	●		
Central Heating	●	●	●	●	●	●		
OVENS								
Fan Oven							●	●
Multifunction Oven							●	●
Cast Iron Main Oven	●	●	●	●	●	●		
Cast Iron Lower Oven	●	●	●	●	●			
HOBS								
Cast Iron	●	●	●	●	●	●		
Induction							●	●
Gas							●	●
HEATING CONTROLS								
Digital Control	●	●	●	●				
Analogue Control								
Digital Programmer				●				
Thermostatic				●				
FLUE SYSTEM								
Balanced				●				
Conventional	●	●	●	●	●	●		No Flue Required
Twin Walled	●	●	●	●	●	●		No Flue Required
Fan Assisted	●	●	●					
CENTRAL HEATING HOT WATER SYSTEM								
Fully Pumped Open	●	●	●	●	●	●	N/A	N/A
Fully Pumped Sealed	●	●	●	●			N/A	N/A
BOILER OUTPUT WATER SYSTEM								
BTU/ Hour	100K	80K	60K	80K	60K	53.5K	N/A	N/A
Kilowatts (kW)	29.3	23.4	17.6	23.4	17.6	15.7	N/A	N/A
Average number of radiators	20	16	12	16	12	10	N/A	N/A
WEIGHT								
Metric (kgs)	385	380	380	395	360	218	N/A	N/A
SAP (EFFICIENCY) RATINGS %								
Oil	81.7	84.2	82.3	92	N/A	76.5	A	A

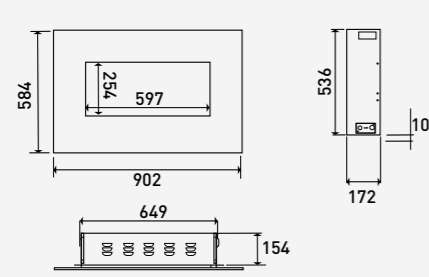
Heat outputs are based on laboratory testing. For Central heating calculations are based on average sized radiators (5ft x 2ft). Efficiency ratings quoted are net efficiencies as per EN13240 (third party results). This brochure is produced as a visual aid and is not intended to replace the installation and users instructions, or the need to view an appliance. n/a = not available

* F500 Oval and Slim LPG are 1.75kW to 5kW.

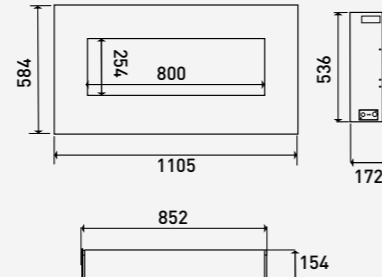
Please consult product technical manuals for dimensions and guidelines before installation.

Electrical Technical Drawings

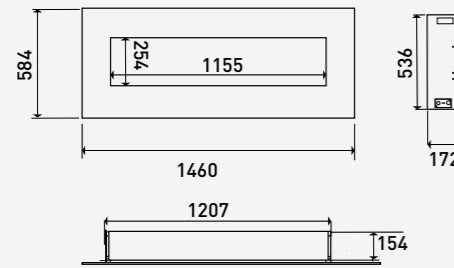
ARGON Wall Hung



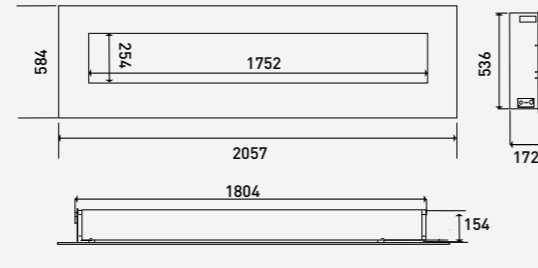
90cm



110cm

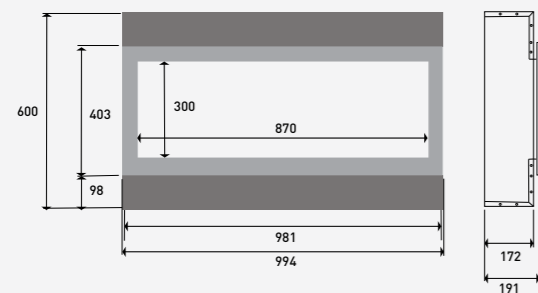


140cm

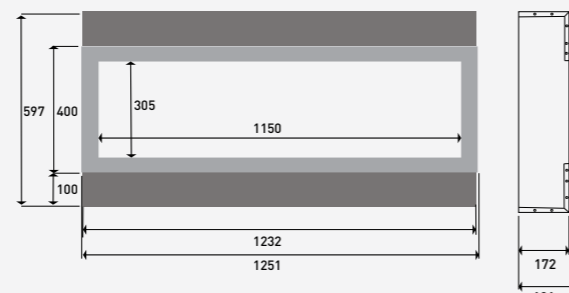


200cm

ARGON Built In



100cm

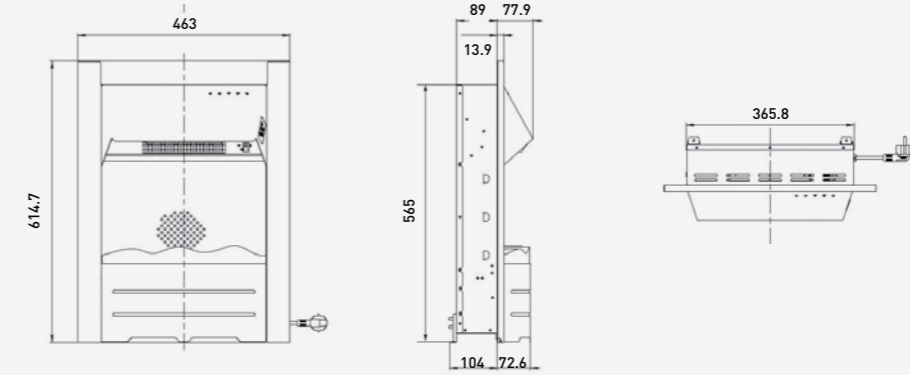


125cm

Electrical Technical Drawings

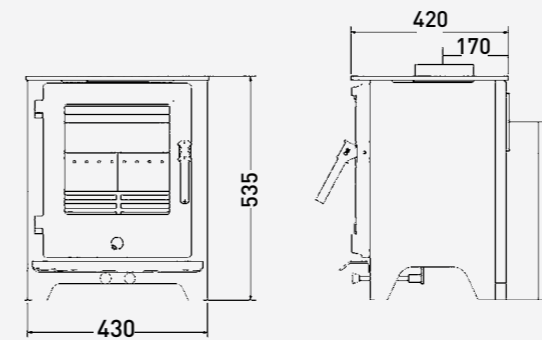
ARGON Insets

Arranmore & Bailey

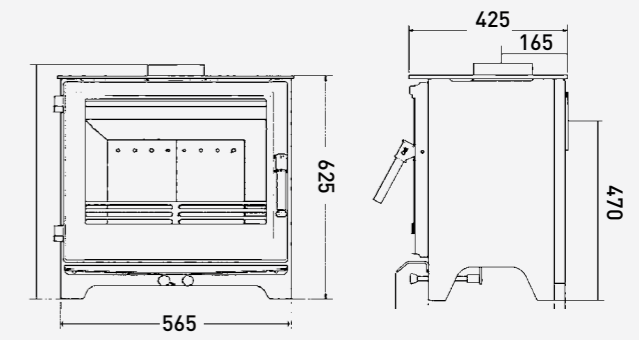


Gas Technical Drawings

F650 Gas Stove



F900 Gas Stove

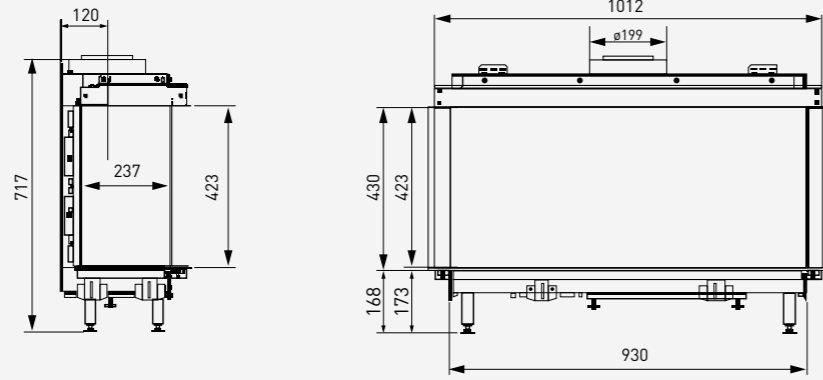


Stanley ARGON Gas Stove Inputs & Outputs

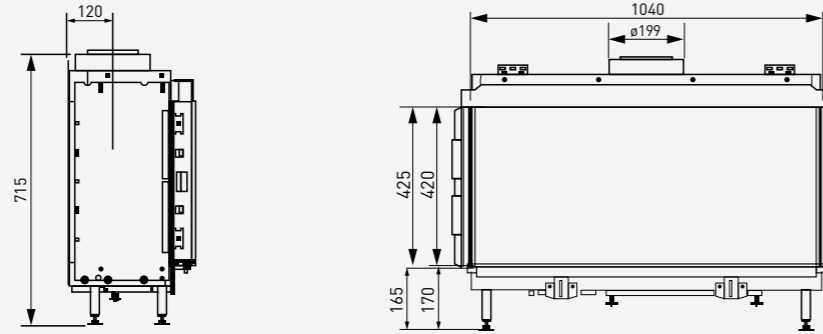
Model	Fuel	HEAT INPUT		Net Efficiency	HEAT OUTPUT	
		Max	Min		Max	Min
Slim Double Burner	Natural Gas	8.5	3	82%	6	2
	LPG	5.9	2.5	81%	4	1.8
Oval Double Burner	Natural Gas	8.5	3	82%	6	2
	LPG	5.9	2.5	81%	4	1.8
Elegance	Natural Gas	11	3.5	78%	7	2.3
	LPG	10	3.5	78%	6.5	2.3
Panoramic	Natural Gas	11	3.5	78%	7	2.3
	LPG	10	3.5	78%	6.5	2.3
650 Double Burner	Natural Gas	8.5	3	82%	6	2
	LPG	5.9	2.5	81%	4	1.8
900 Double Burner	Natural Gas	10	3	80%	7	2.2
	LPG	8.8	3	81%	6	2.2
Cara Double Burner	Natural Gas	8.5	3	82%	6	2
	LPG	5.9	2.5	81%	4	1.8

Gas Technical Drawings

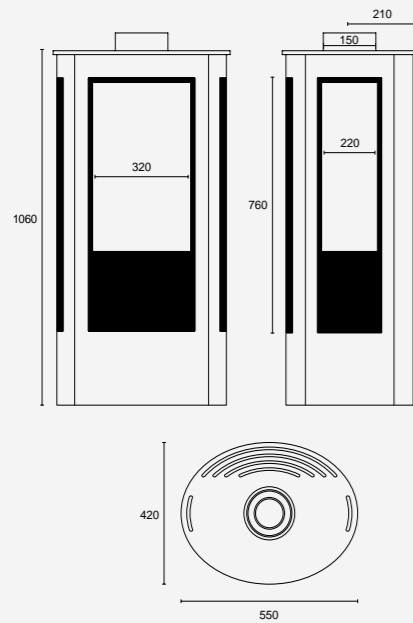
ARGON I5001
Elegance
Gas Stove



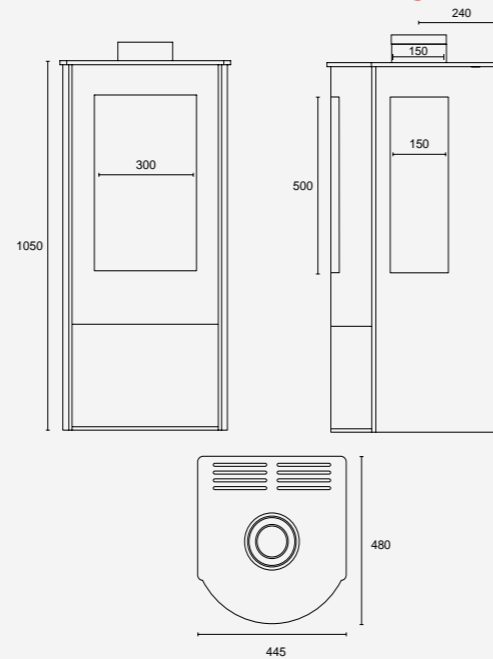
ARGON I5003
Panoramic
Gas Stove



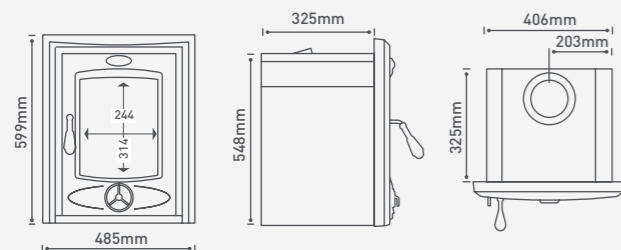
F500 Oval Freestanding



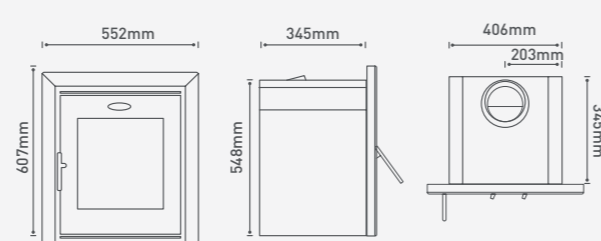
F500 Slim Freestanding



Cara Gas

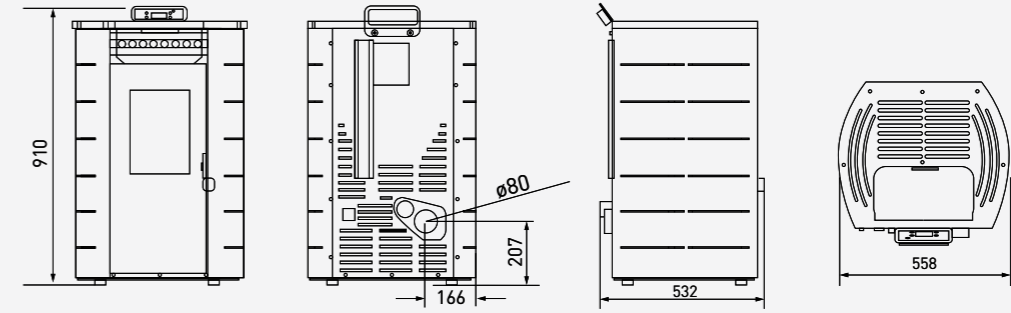


Cara Glass Gas

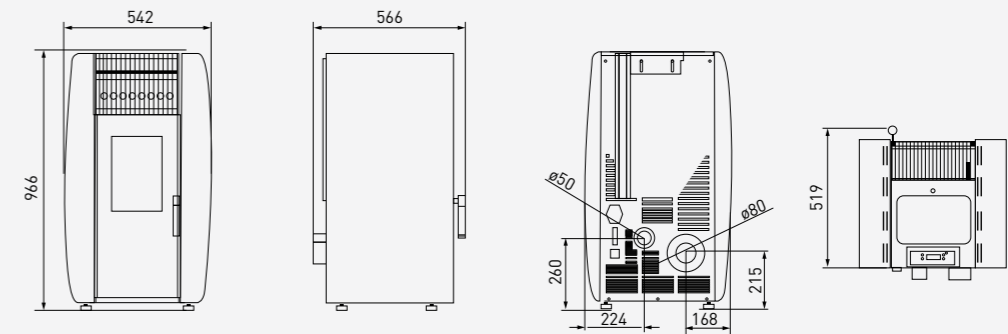


SOLIS Pellet Stoves

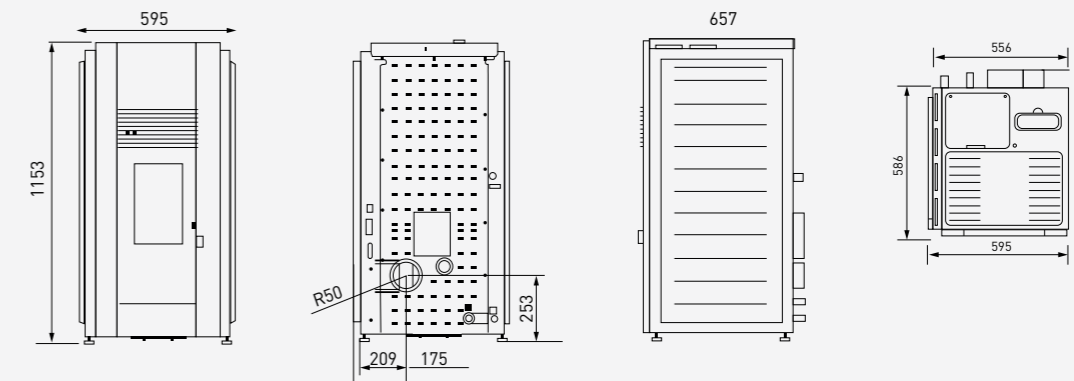
SOLIS K100 Pellet Stove



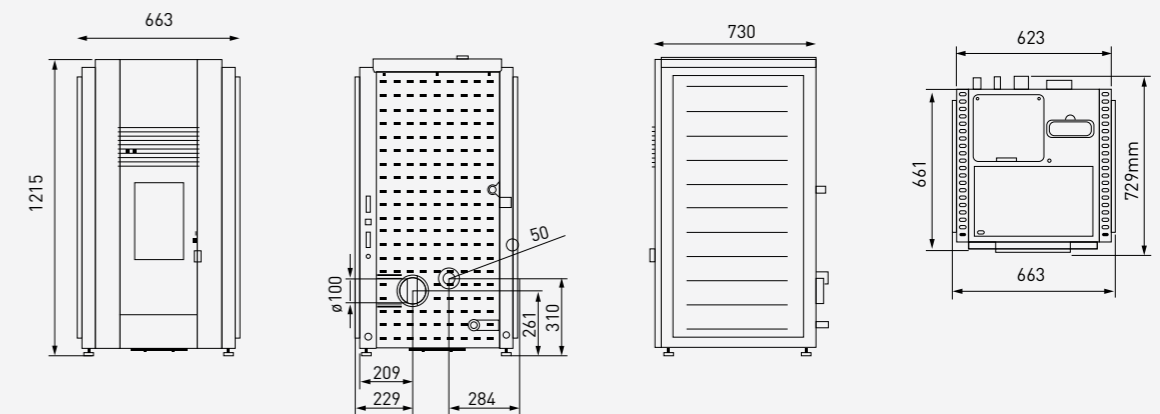
SOLIS K300 Pellet Stove



SOLIS K1700+ Pellet Stove

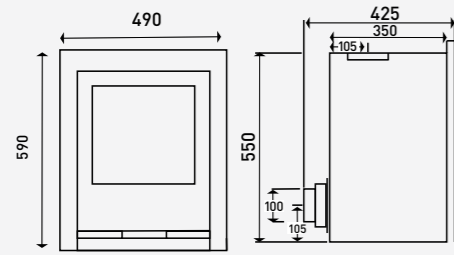


SOLIS K2300+ Pellet Stove



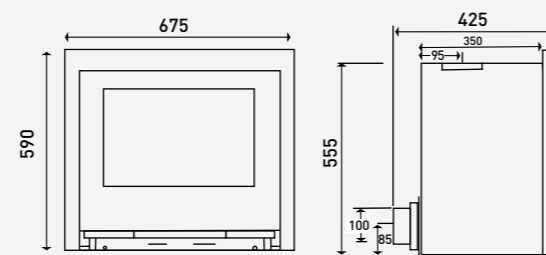
SOLIS I500

3 sided frame

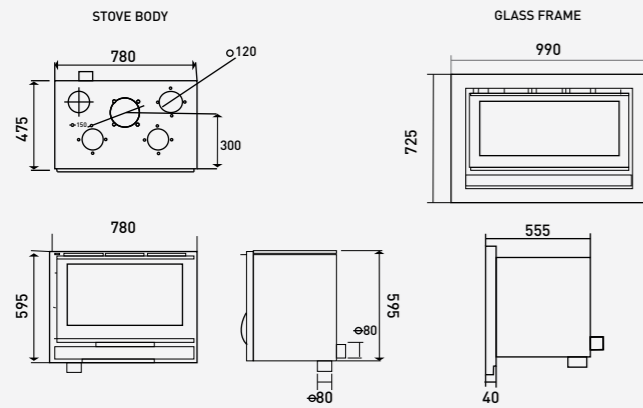


SOLIS I900

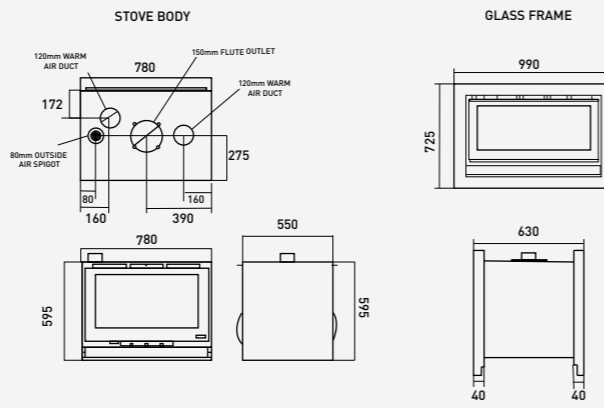
3 sided frame



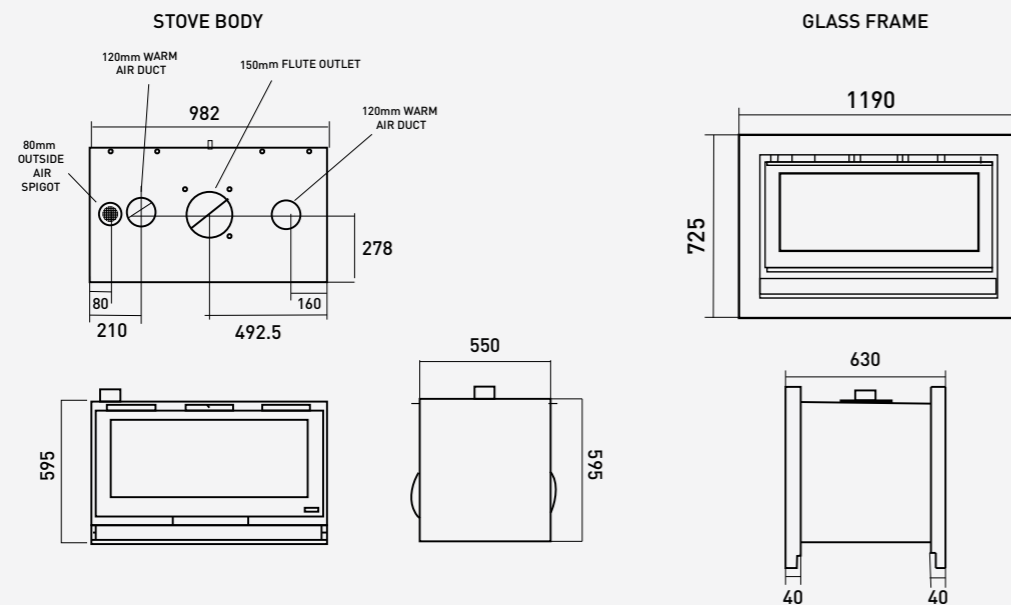
SOLIS I80 SS



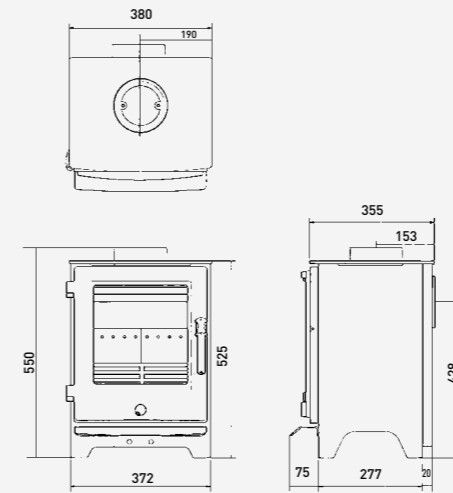
SOLIS I80 DS



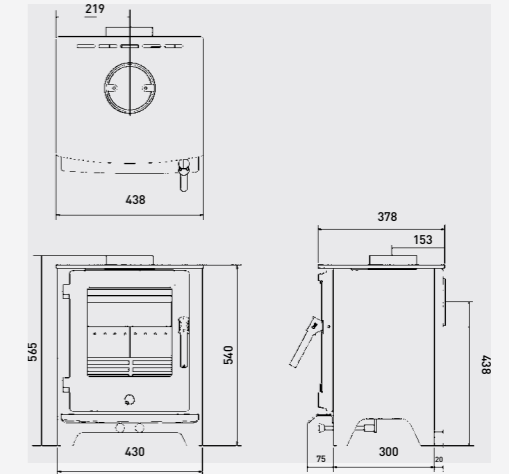
SOLIS I100 DS



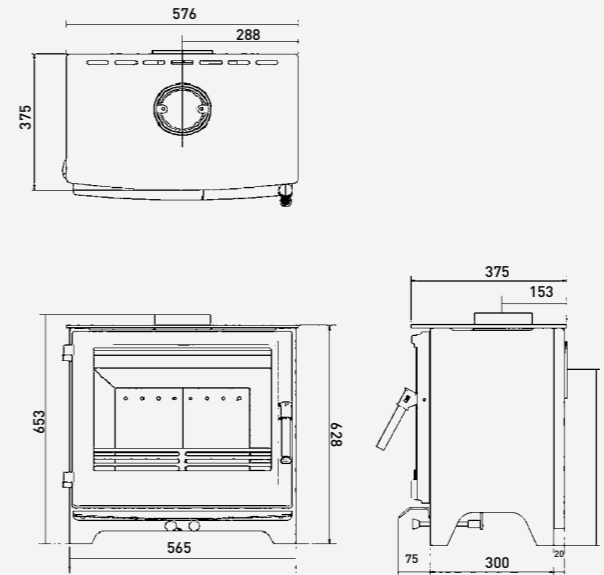
SOLIS F500 Edge



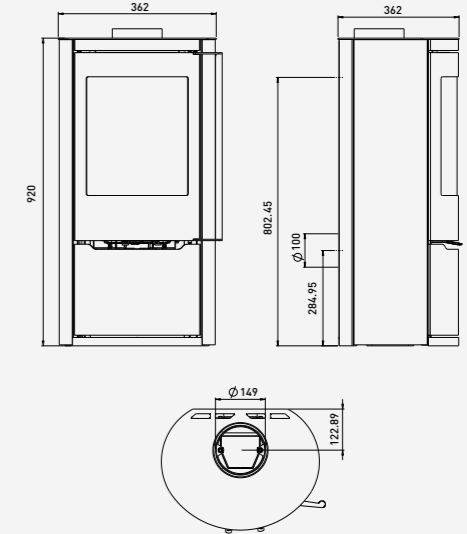
SOLIS F650 Style



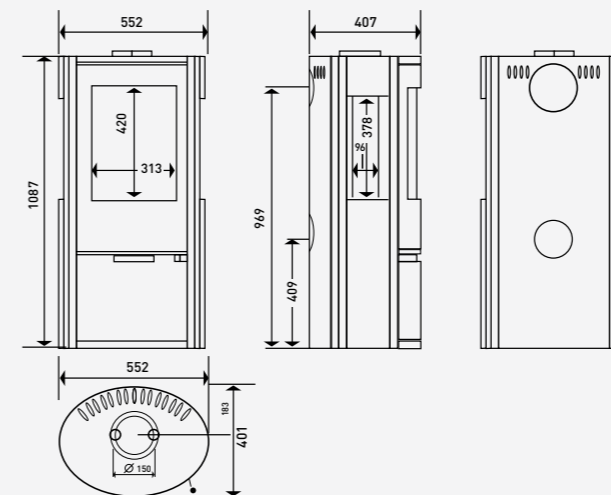
SOLIS F900 Ridge



SOLIS F800 Grande



SOLIS F1110 Panoramic



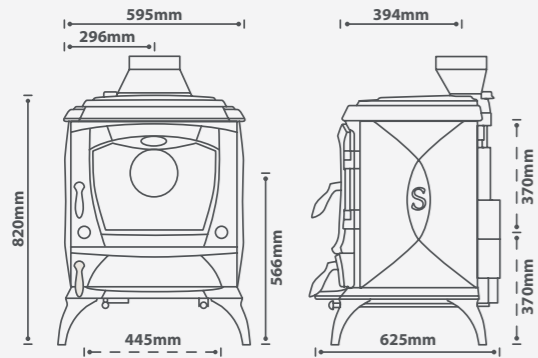
External air with Stanley stoves

MODEL	YES - AS STANDARD	YES - KIT
I80 SS	•	
I80 DS	•	
I100 DS	•	
I500	•	
I900	•	
F500 Edge		•
F500WB		•
F650 Style		•
F900 Ridge		•
F800 Grande	•	
F1110 Panoramic	•	

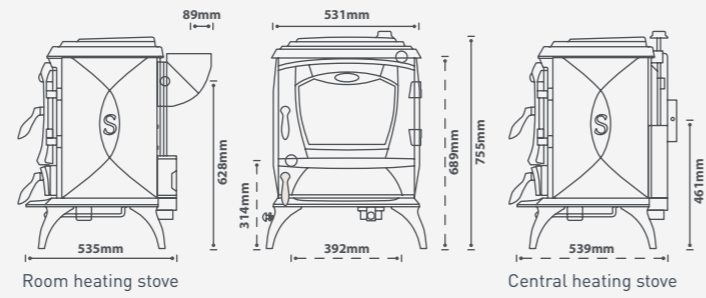
External air feed is available for many of our stoves as an optional extra. External Air is used in well-insulated houses for mechanical ventilation, and directs air from the outside into the stove to improve combustion.

Classic Stoves

Reginald

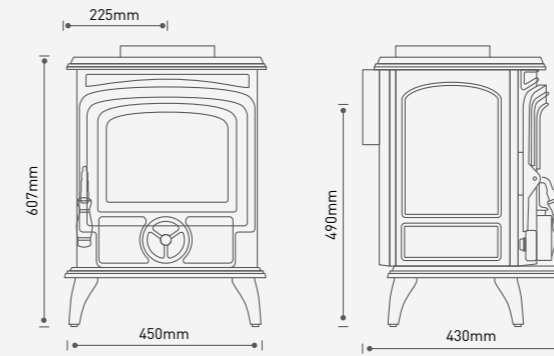


Lismore

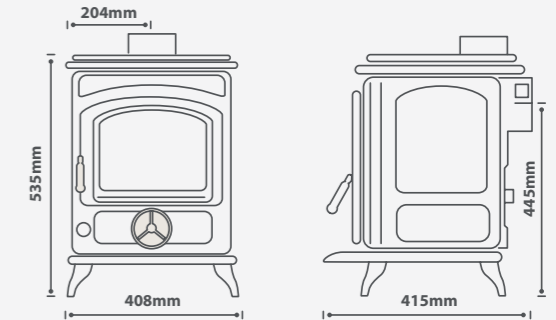


Classic Stoves

Oscar



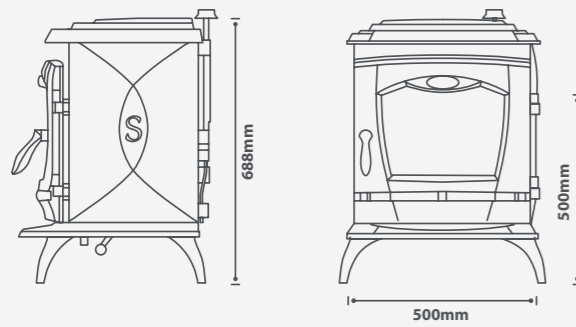
Oisin



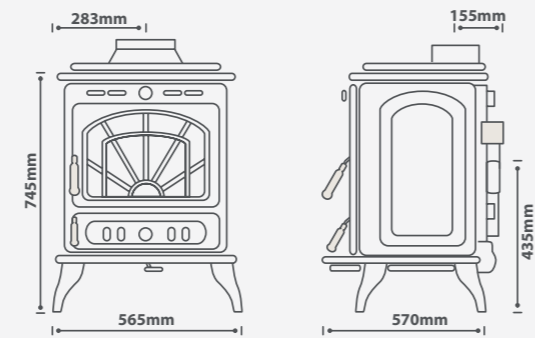
Dimensions

Dimensions

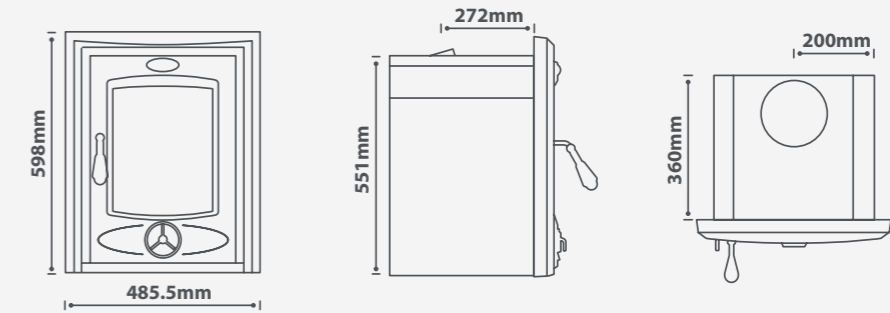
Ardmore Eco



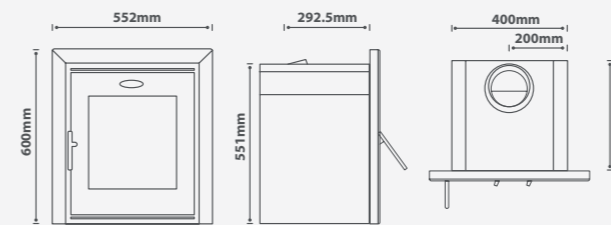
Erin



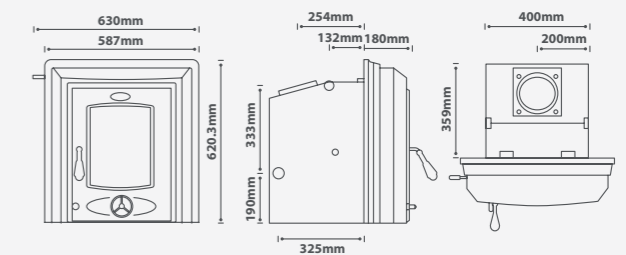
Cara



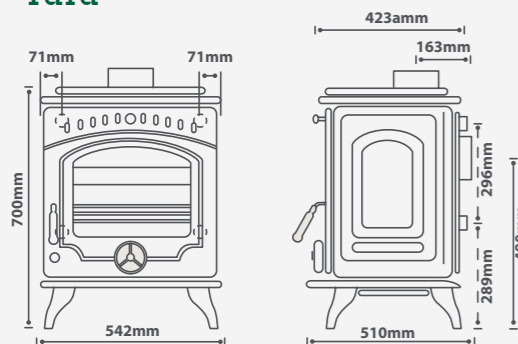
Cara Glass



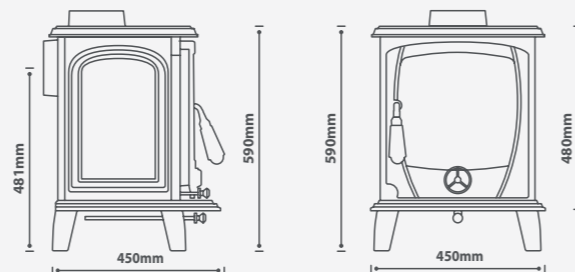
Cara+



Tara



Aoife



External air with Stanley stoves

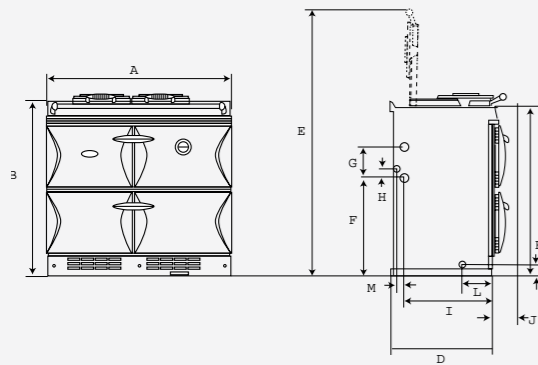
External air feed is available for many of our stoves as an optional extra. External Air is used in well-insulated houses for mechanical ventilation, and directs air from the outside into the stove to improve combustion.

ROOM ONLY MODELS	MODEL	YES	NO	KIT
	Oisin	•		•
Cara	•		•	
Cara Glass	•		•	
Aoife		•		
Oscar		•		
Tara	•		•	
Ardmore Eco	•		•	
Lismore	•			

ROOM & RADIATOR MODELS	MODEL	YES	NO	KIT
	Tara	•		•
Erin	•		•	
Cara Plus	•		•	
Lismore	•			
Reginald	•		•	

Range Cookers

Brandon Condensing



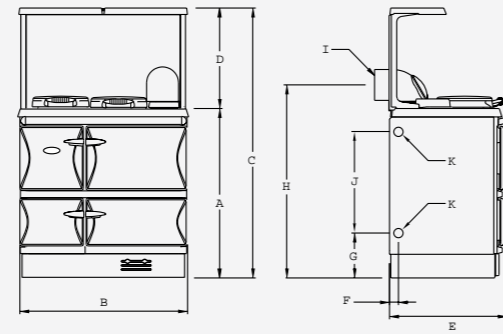
Dimensions

FRONT VIEW	A		B								
Metric (mm)	995		940								
SIDE VIEW	C	D	E	F	G	H	I	J	K	L	M
Metric (mm)	920	543	1428	529	164	42	470	470	63	160	38

Hotplate and oven dimensions

FEATURE	WIDTH	HEIGHT	DEPTH
Hotplate	650		355
Roasting oven	370	310	410
Simmering oven	370	225	410

Brandon



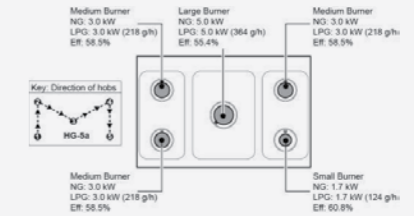
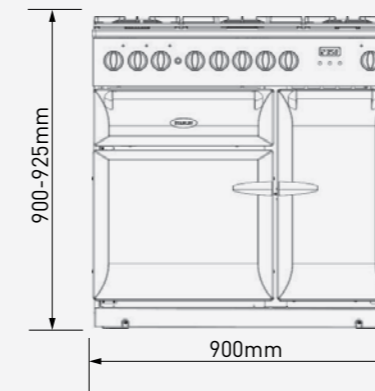
Dimensions

FRONT VIEW	A	B	C	C			
Metric (mm)	920	920	1480	560			
SIDE VIEW	E	F	G	H	I	J	K
Metric (mm)	640	45	250	1047	152	540	N/A

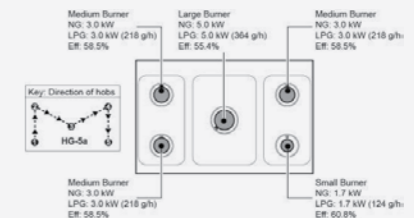
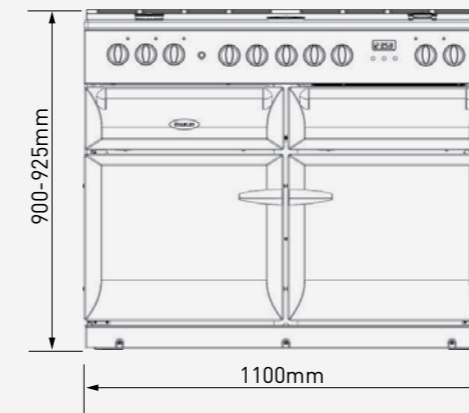
Hotplate and oven dimensions

FEATURE	WIDTH	HEIGHT	DEPTH
Hotplate	550		323
Roasting oven	390	310	406
Simmering oven	390	220	406

Supreme Deluxe Dual Fuel 90cm and 110cm

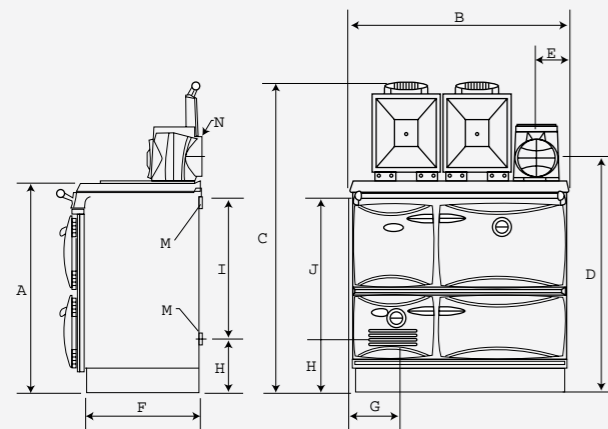


DEPTH: 610mm excluding handles
688mm including handles



DEPTH: 610mm excluding handles
688mm including handles

Donard



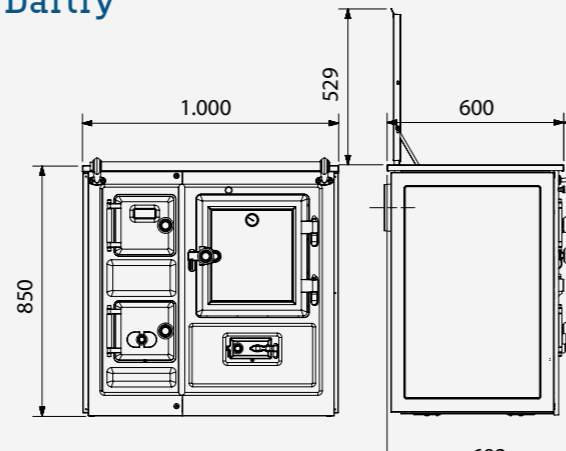
Dimensions

FRONT VIEW	A	B	C	D	E	F*	G
Metric (mm)	885	920	1320	995	145	480	195
SIDE VIEW	E	F	G	H			
Metric (mm)	230	590		150			

Hotplate and oven dimensions

FEATURE	WIDTH	HEIGHT	DEPTH
Hotplate	560		330
Roasting oven	390	310	406
Simmering Oven	390	220	406

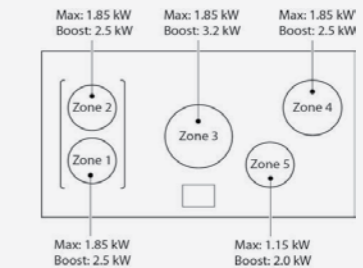
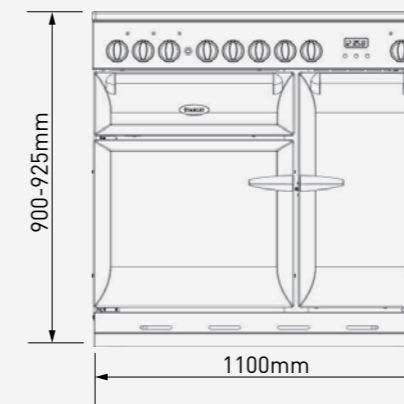
Dartry



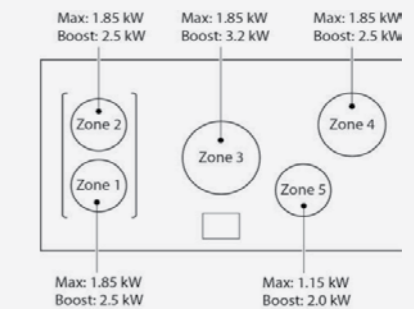
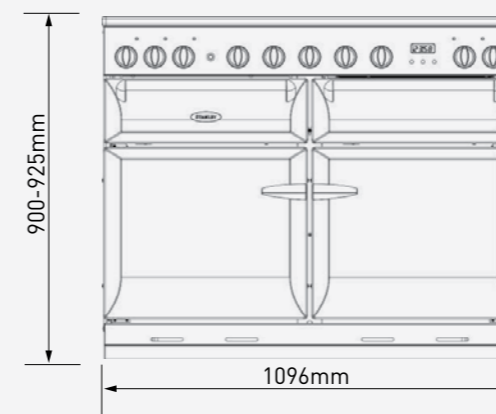
Hotplate and oven dimensions

FEATURE	WIDTH	HEIGHT	DEPTH
Hotplate	940		500
Roasting oven	450	425	460

Supreme Deluxe Induction 90cm and 110cm



DEPTH: 610mm excluding handles
688mm including handles



DEPTH: 610mm excluding handles
688mm including handles

Flueing your Stanley range cooker

When installing your Stanley oil range cooker, we recommend using Stanley parts and Stanley approved flue systems only. For those homes without a chimney, a fan flue system is available.

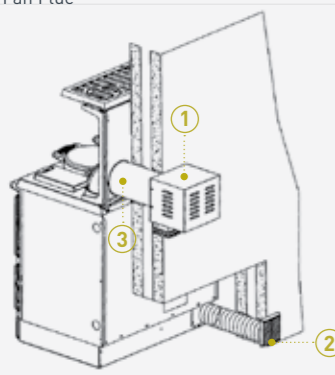
Choosing the right fan flue (oil cookers only)

A fan flue is the ideal solution for houses without a chimney as it allows you to flue through any suitable external wall. The correct model of fan flue depends on your chosen range cooker model.

MODEL	VARIANT	FUEL	FAN FLUE
Brandon	100 / 80 / 60	Oil	Brandon/Renovator
Brandon	10 / Cooker	Oil	Renovator
Brandon Condensing	80	Oil	No fan flue
Donard	60	Multifuel	No fan flue
Dartry	50	Multifuel	No fan flue

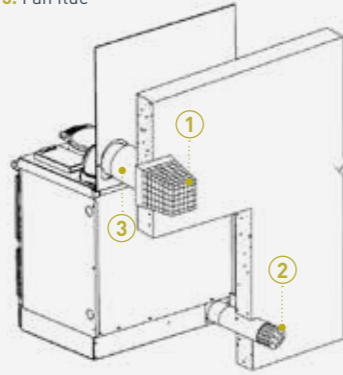
Renovator fan flue

1. Fan Flue Casing
2. Air Inlet
3. Fan Flue

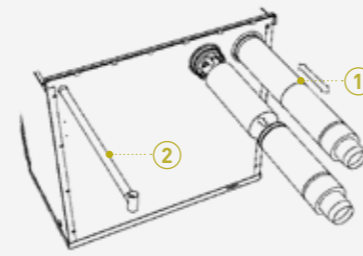


Brandon fan flue

1. Safety cage
2. Air intake assembly
3. Fan flue



1. Telescopic flue pipes
2. Fan vent pipe



A balanced flue is included with your Brandon Condensing cooker although you may need to purchase an extension kit as shown here.

Installation

Waterford Stanley want you to enjoy the maximum performance from your Stanley stove. To ensure this, it is essential that they are installed correctly. We recommend using a suitably qualified installer. To assist you we have a nationwide network of service agents available, as well as a dedicated technical service helpline. When fitting your Stanley stove a range of cast iron pipes and bends are available for installation purposes. These are available in a choice of colours to suit your appliance.

Pipes and bends

PIPES	Model	151/2" (395mm) height 5" (125mm) straight pipe	73/4" (200mm) height 5" (125mm) extension pipe	161/2" (418mm) height 6" (150mm) straight pipe (no access door)	161/2" (418mm) height 6" (150mm) straight pipe (with access door)	34" (864mm) height 6" (150mm) straight pipe (with access door)
	Erin, Aoife, Tara, Lismore, Reginald					
	Oisin, Ardmore					

BENDS	Model	5" (125mm) 112o bend	6" (150mm) 112o bend	5" (125mm) 45o bend	6" (150mm) 45o bend
	Erin, Aoife, Tara, Lismore, Reginald				
	Oisin, Ardmore				

A proud tradition

Stanley has been bringing warmth and comfort to homes for generations, stretching back to when the first range cooker was made in Waterford in 1936.

Allied Ironfounders were the leading foundry company of the day. It owned sites in Larbert, Scotland, Coalbrookdale and Telford, England, together with the Waterford site. Stanley cookers were made alongside Rayburn cookers in Waterford until the 1950's.

In the 1960's the Waterford site was sold and evolved through the decades to become Waterford Stanley in the early 1980's. In 2005 Waterford Stanley was acquired by the AGA Rangemaster Group, once again reuniting the AGA, Rayburn, Falcon and Stanley families.

Ireland's number one stove brand

The Stanley brand inspires instinctive loyalty and appeals strongly to Irish consumers. The sense of family, cosiness and a relaxed lifestyle are values that Stanley owners aspire to. Stanley meets these aspirations with its collection of expertly crafted, cast iron range cookers and stoves.

Designed and developed in Ireland, all our departments including Research and Development, Logistics, Service and Customer Call Centre, Sales and Marketing are based in Waterford.

Expert Advice and Service

We want to make sure you choose the perfect Stanley for your lifestyle. Throughout Ireland, home heating experts are available in Stanley retailers to offer advice and help you in choosing the best stove to suit your needs.

All of our staff have been trained by Waterford Stanley to guide you through the selection process. With almost 100 years of combined experience in the Stanley sales and customer service office there's always someone to help with your queries.

Ecodesign 2022

Ecodesign is the European-wide programme to lower emissions to improve air quality from a range of appliances that use energy including stoves and will come into force 1st January 2022. It will apply to both wood burning and solid fuel stoves.

What does Ecodesign cover?

- › Minimum efficiency rating of 75% for stoves
- › Reduction of CO (Carbon monoxide) -88%
- › New limit for emissions of NOx
- › Introduction in requirements for Particulate matter and organic gaseous compounds

Waterford Stanley is committed to certifying its stoves for Ecodesign 2022. Where you see the following logo on our SOLIS and classic range, they have already been certified for Ecodesign 2022. All our gas, electric and pellet stoves are Ecodesign certified.

Did you know?

Stanley's first factory in Waterford was set up in 1936 by Allied Ironfounders, the predecessor company to AGA, as a sister facility to its foundry in Larbert, Scotland.



Stanley Cookers awaiting transport from Bilberry, Waterford circa 1940. Photo with thanks to the Poole Photographic Collection and reproduced with the kind permission of the National Library.





Bringing warmth and comfort to homes for generations



Ecodesign is the European-wide programme to lower emissions to improve air quality from a range of appliances that use energy including stoves and will come into force 1st January 2022. It will apply to both wood burning and solid fuel stoves.



OFTEC's codes of practice set standards for the industry, and are followed by its members and registered technicians.



HETAS is the official body recognised by Government to approve solid fuel domestic heating appliances, fuels and services. Established in 1936, HETAS Ltd. is the official testing and approval body for the domestic solid fuel industry. HETAS Ltd. approves and gives the three tick logo mark of quality assurance to solid fuels and solid fuel stoves.



The Stove Industry Alliance (SIA) is an association of stove manufacturers and distributors, fuel suppliers, flue manufacturers and industry supporters like HETAS. Its aim is to promote and explain the benefits and environmental advantages of stoves as heating appliances. Waterford Stanley is a member of the SIA.

Republic of Ireland:

Sales Dept. 051 302 302
Service Dept. 051 302 333

Northern Ireland:

Sales & Service 028 8772 2195

You can also contact us on sales@waterfordstanley.com or service@waterfordstanley.com

United Kingdom:

ABGO Sales & Spare Parts 01902 790 900 or waterfordstanley@abgo.co.uk
AGA Sales: 07775 821241

www.waterfordstanley.com

The Waterford Stanley difference
We also offer the following...



YOUR STANLEY STOCKIST:



Web: www.Lamartine.ie
Phone: 01-4502662
Email: info@lamartine.ie

Ballymount Rd. Lower
Walkinstown, Dublin 12,
D12 KR79, Ireland

01/2020