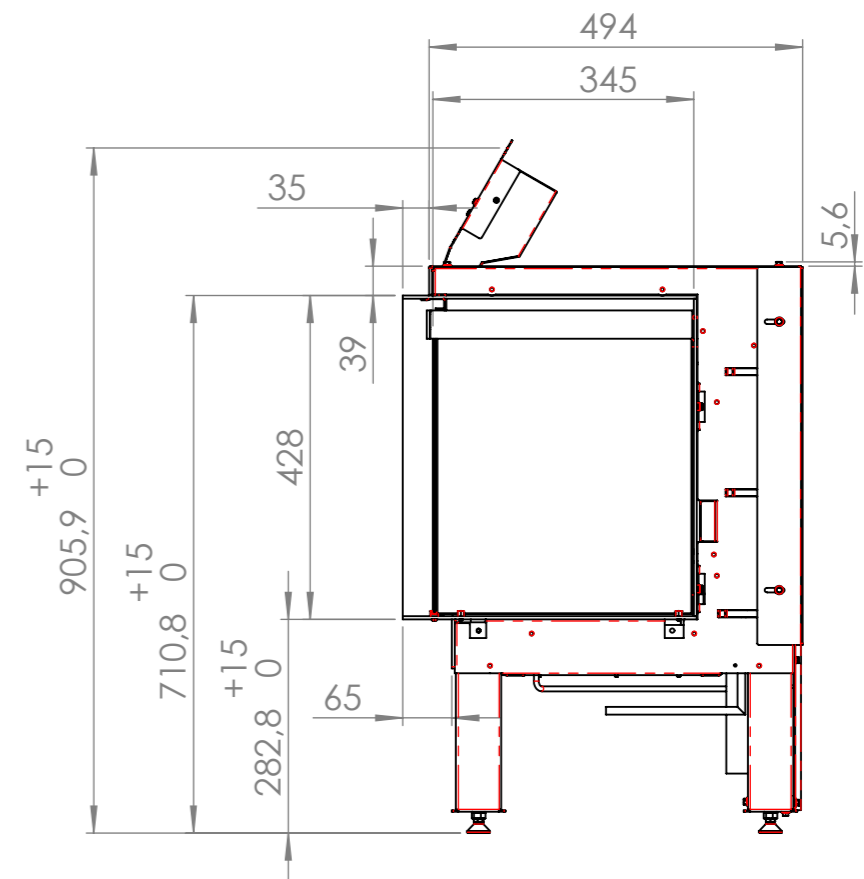
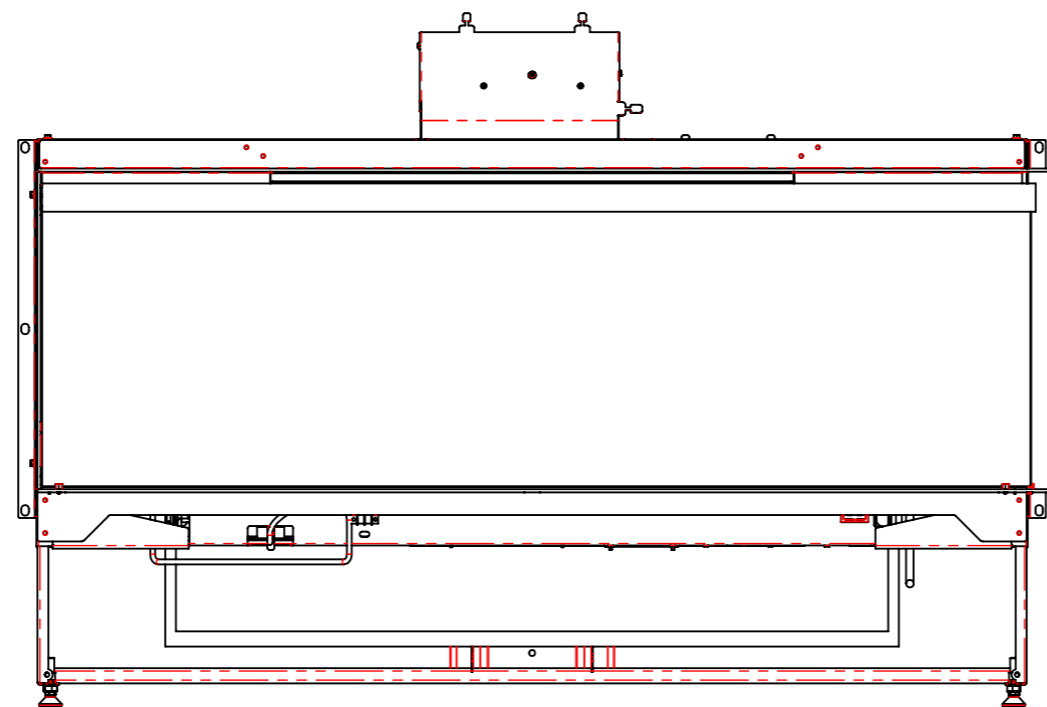
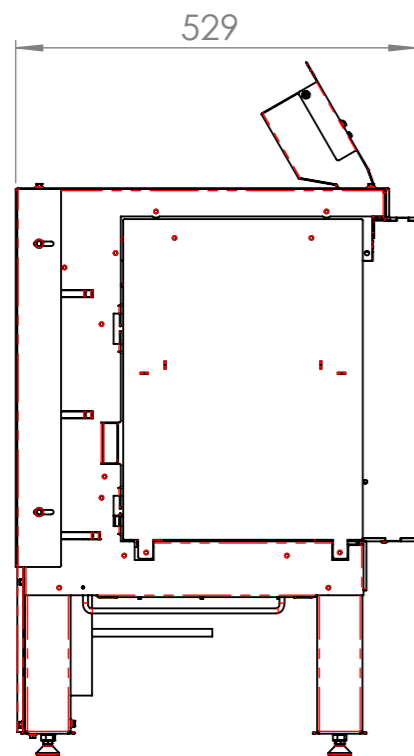
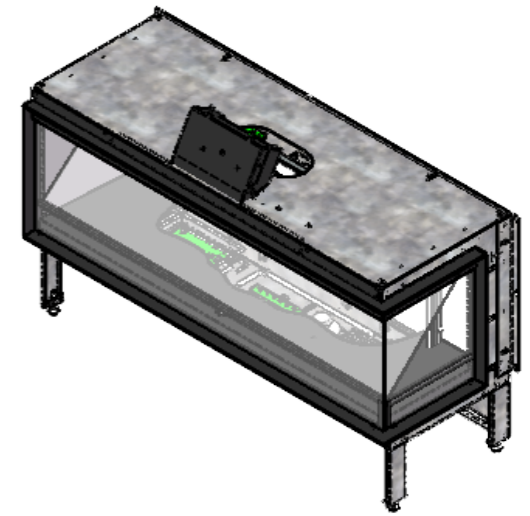
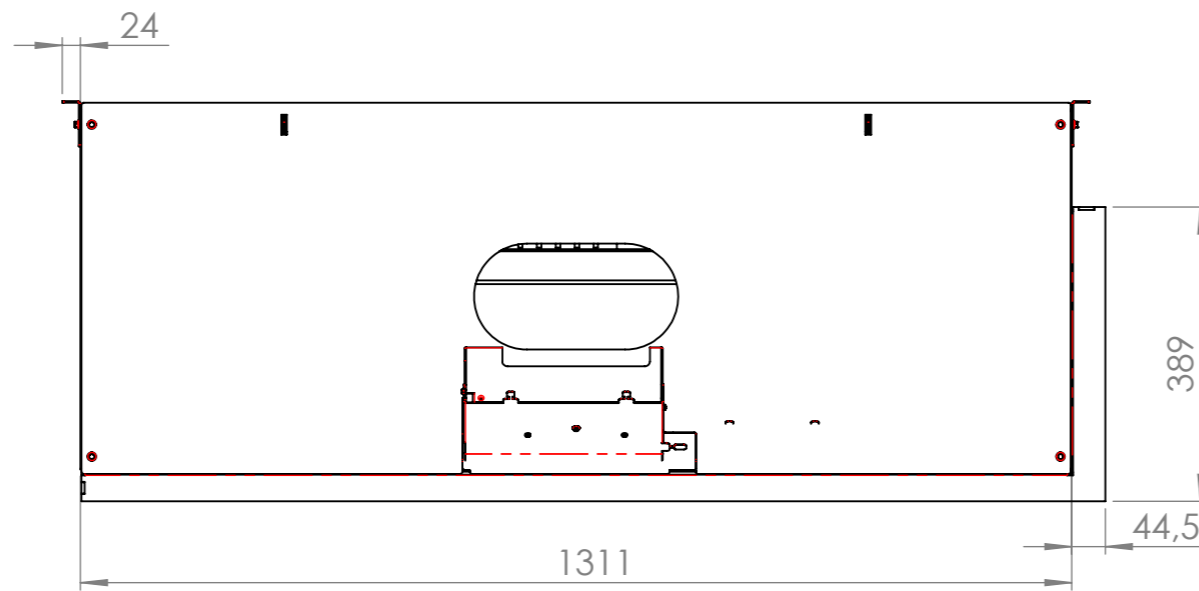


Config: corner right



|  |            |                   |         |           |       |                     |
|--|------------|-------------------|---------|-----------|-------|---------------------|
| ISO 2768-mK  |            | Treatment:        |         |           |       |                     |
| Third Angle Projection<br>ISO 128-Method A                         |            | Material:         |         |           |       |                     |
|  | Mass (Kg): | Date:             | Author: | Scale:    | Page: | Dimensions:         |
|  | 131.56     | 5-4-2022          | RS      | 1:10      | 3/4   | mm                  |
| <b>KALFIRE</b><br>FIREPLACES                                       |            | Description:      |         |           |       |                     |
|  |            | E-ONE 130 3S ASSY |         |           |       |                     |
| Document Number:   |            |                   |         | Revision: | Size: |                     |
| KF02931  |            |                   |         | 00        | A3    |                     |
| All rights reserved. Copywrited / Reprints prohibited. Kal-fire BV |            |                   |         |           |       | State : In Progress |